

# DP-50 Specifications

## Xtreme Duty Pro XDP® Heavy Duty

### Port Dimensions (121.5 GPM Max.)

#### Intake & discharge connection:

Aluminum (ADC-12)	2" ANSI B16.5 #150 (with tapped 1-1/2" Female NPT)
Polypropylene (PPG)	2" ANSI B16.5 #150
Kynar®	2" ANSI B16.5 #150
Stainless Steel (316)	2" ANSI B16.5 #150 or 2" Female NPT
Cast Iron	2" Female NPT
Air inlet (incl. ball valve):	3/4" Female NPT
Air exhaust (incl. silencer):	3/4" Female NPT

### Maximum Liquid Temperature\*

Diaphragm Material	Temperature
Buna N	180°F (82°C)
Neoprene	180°F (82°C)
Santoprene® (TPO)	180°F (82°C)
EPDM	212°F (100°C)
PTFE	212°F (100°C)
Hytrel® (TPEE)	248°F (120°C)
Viton® fluoroelastomer	248°F (120°C)

\*The maximum liquid temperature for metal pumps is determined by the elastomer (diaphragm material). Polypropylene pumps have a maximum liquid temperature of 180°F (82°C) regardless of diaphragm material.

### Air Supply Pressure (All Models)

20–125 PSI (1.4–8.7 kgf/cm<sup>2</sup>)

### Discharge Volume Per Cycle

Rubber diaphragm: 0.92 gallons  
PTFE diaphragm: 0.34 gallons

### Maximum Cycles Per Minute

Rubber diaphragm: 460  
PTFE diaphragms: 340

### Maximum Size Solid

5/16" (8 mm)

### Maximum Dry Suction Lift

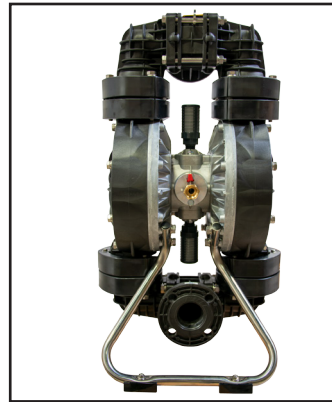
Rubber fitted pump capability: 16'  
PTFE fitted pump capability: 9'

### Air Motor

Aluminum air motor standard on all pumps.

### Valve Type

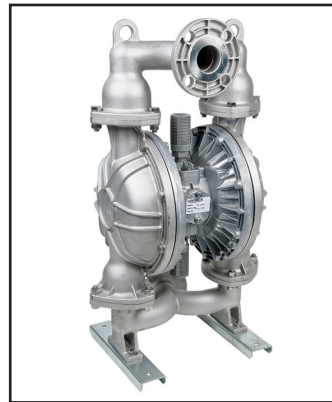
Ball



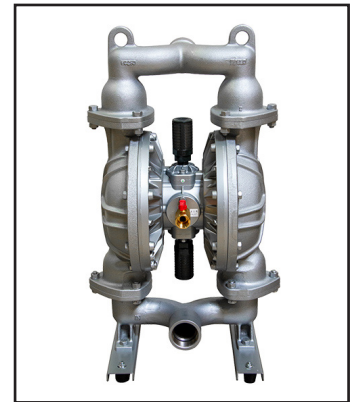
**Kynar®**  
**Dimensions:** 18.19"W x 32.24"H  
**Net Wt.:** 83.8 lbs. (38 kg)  
**Shipping Wt.:** 93 lbs.



**Polypropylene**  
**NPT Dimensions:** 18.30"W x 32.30"H  
**Net Wt.:** 75 lbs. (34 kg)  
**Shipping Wt.:** 85 lbs.

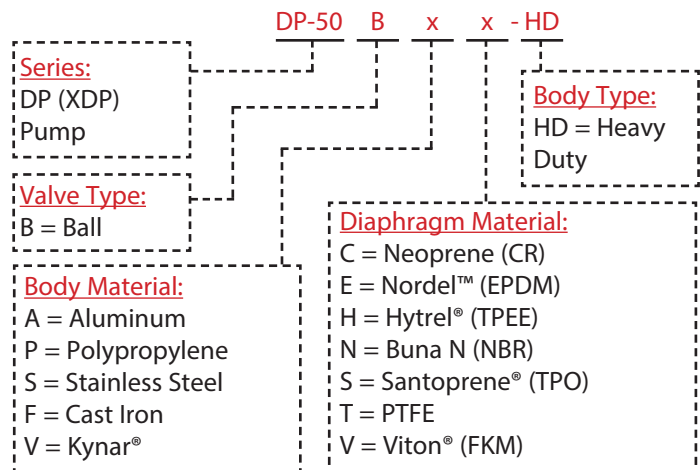


**Aluminum**  
**Dimensions:** 17.78"W x 30.7"H  
**Net Wt.:** 77.6 lbs. (35.2 kg)  
**Shipping Wt.:** 87 lbs.  
**Stainless Steel**  
**FLG & NPT Dimensions:**  
17.72"W x 30.76"H  
**Net Wt.:** 126.8 lbs. (57.5 kg)  
**Shipping Wt.:** 136 lbs.



**Cast Iron**  
**Dimensions:** 17.72"W x 30.56"H  
**Net Wt.:** 136.7 lbs. (62 kg)  
**Shipping Wt.:** 146 lbs.

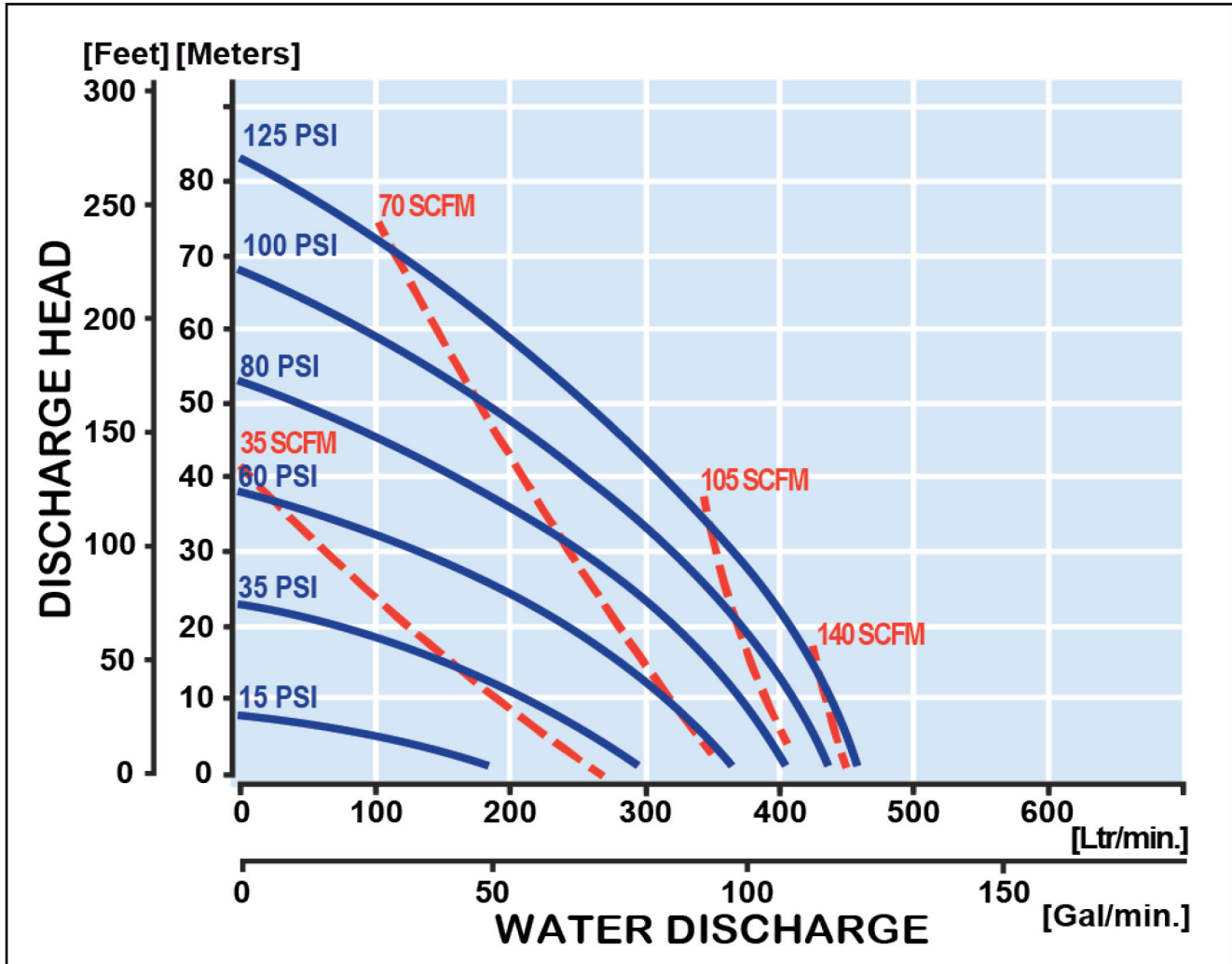
### Model Number Nomenclature



Notes: Santoprene® fitted pumps include EPDM wetted o-rings.

# DP-50 Metal Performance Curve - Rubber

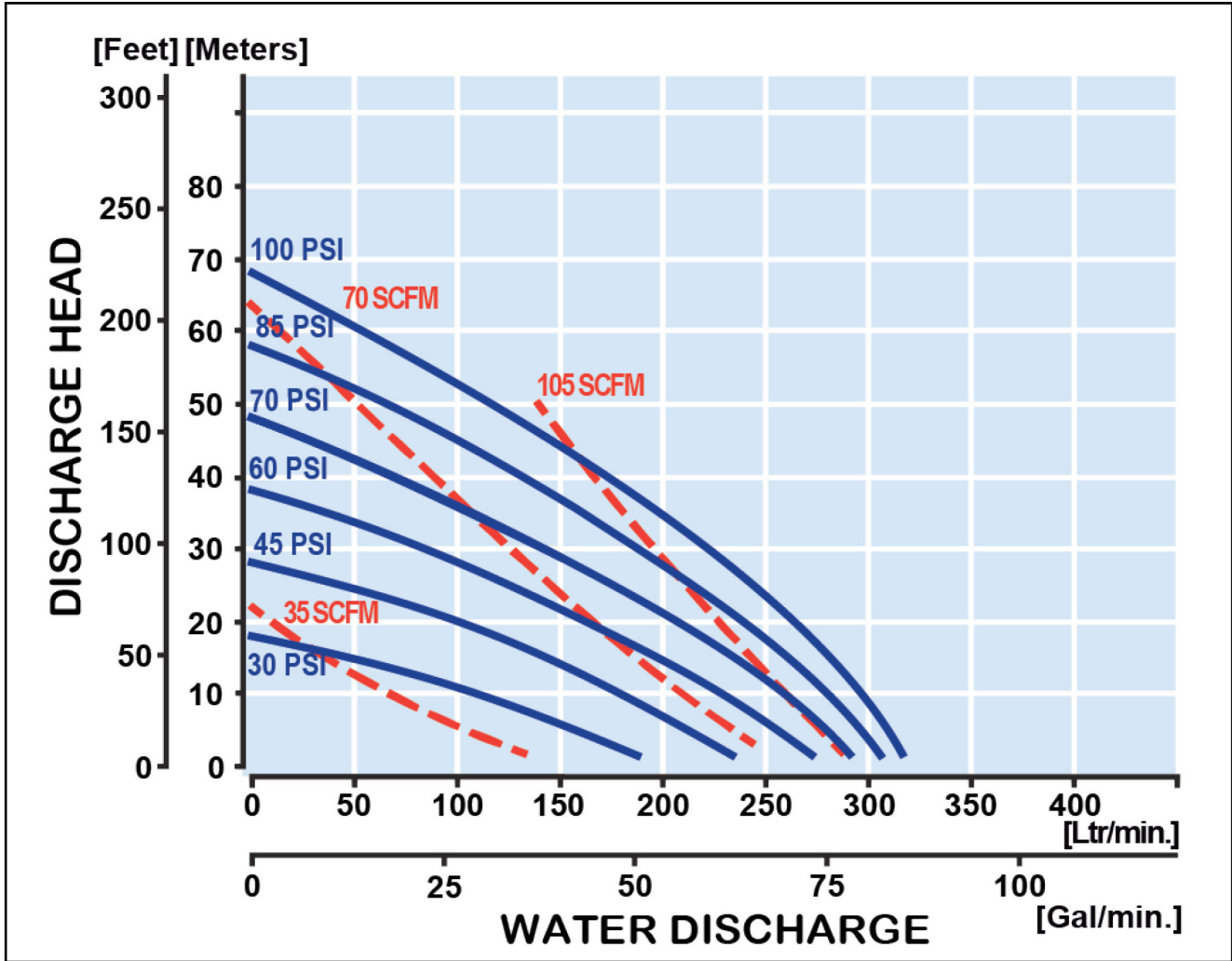
## Rubber Diaphragm Performance Curve



To calculate performance for Santoprene® and Hytrel® fitted pumps, use Rubber Diaphragm Curve.

# DP-50 Metal Performance Curve - PTFE

## PTFE Diaphragm Performance Curve

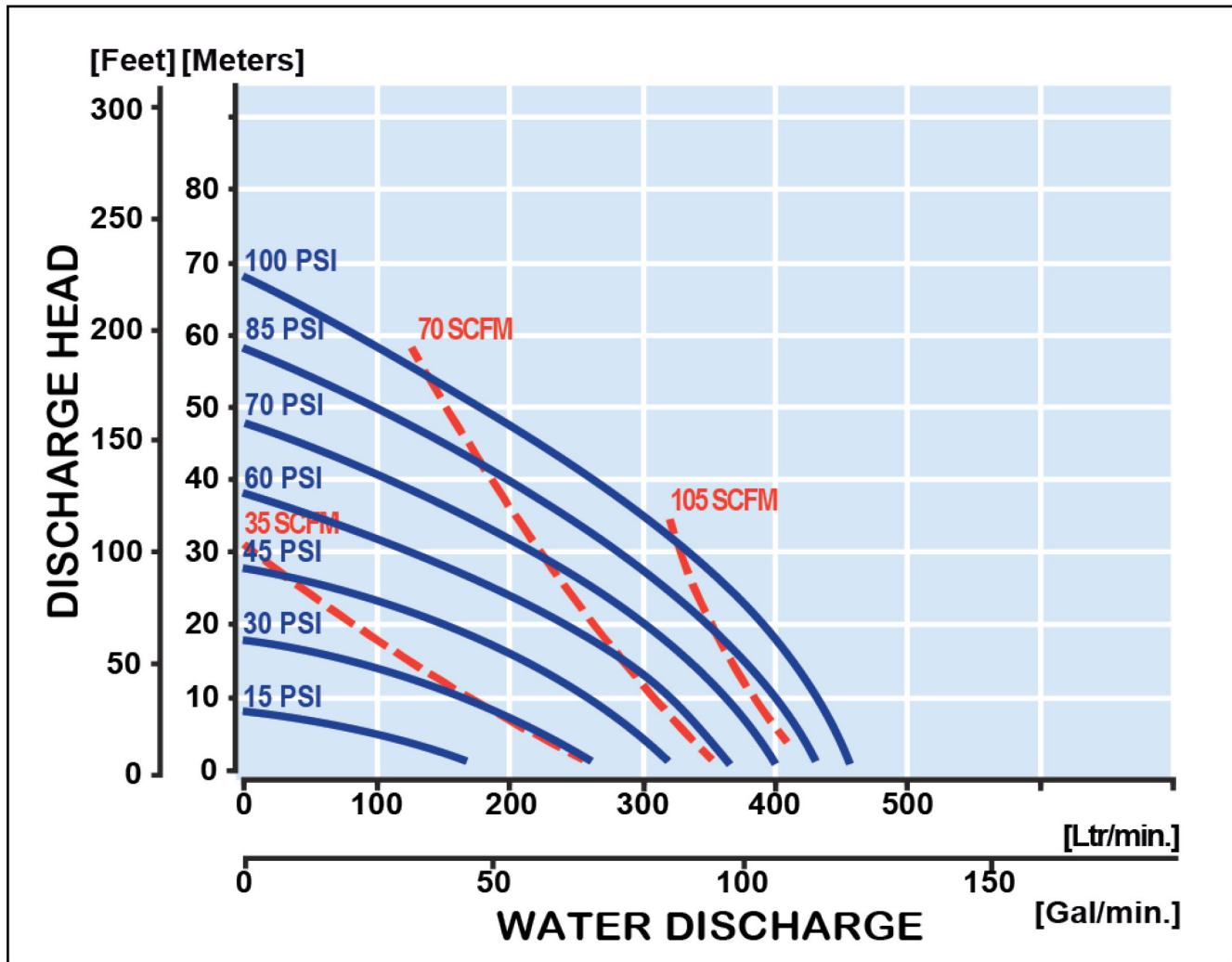


To calculate performance for Santoprene® and Hytrel® fitted pumps, use Rubber Diaphragm Curve.

[add.ir](http://add.ir)

# DP-50 Plastic Performance Curve - Rubber

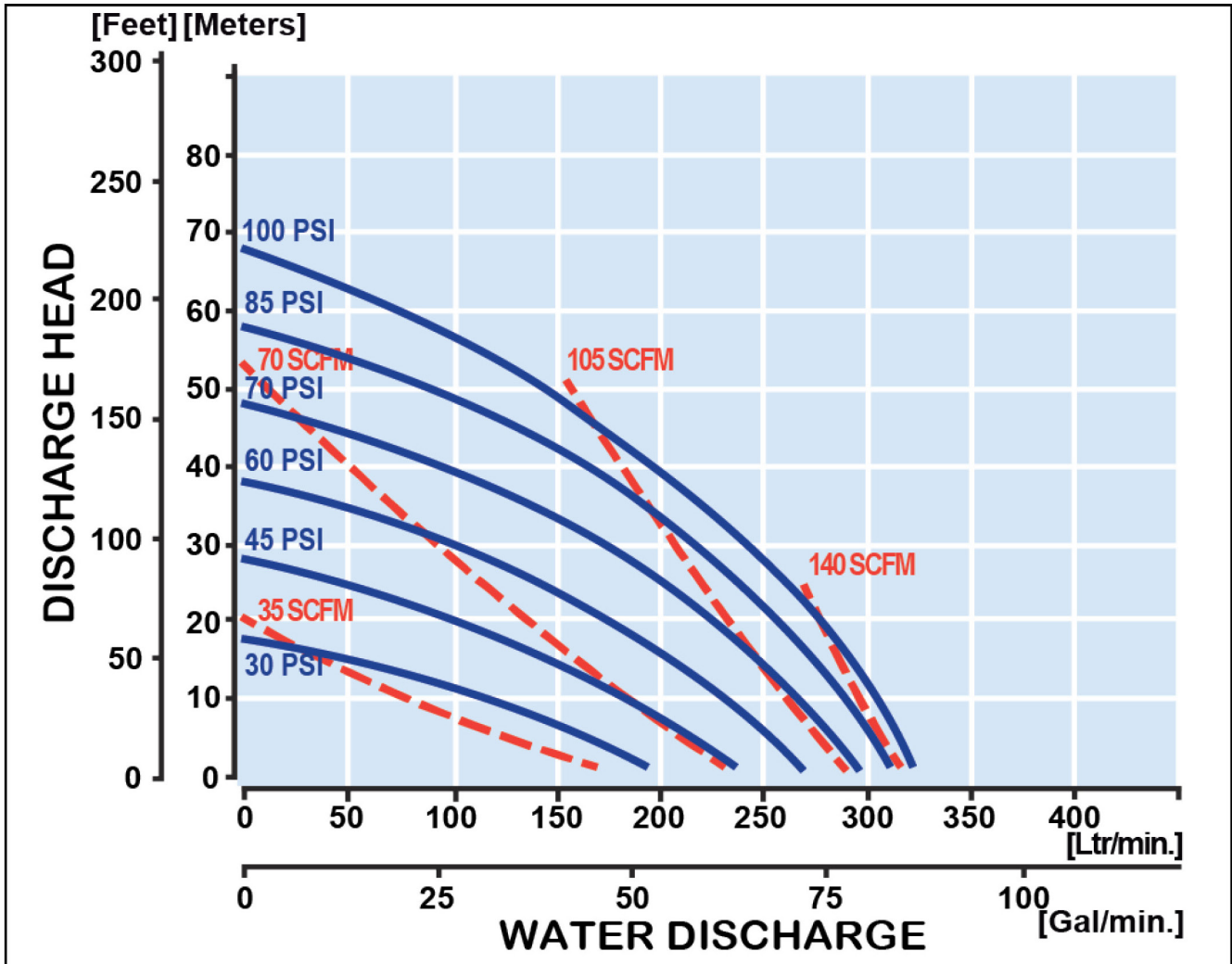
## Rubber Diaphragm Performance Curve



To calculate performance for Santoprene® and Hytrel® fitted pumps, use Rubber Diaphragm Curve.

# DP-50 Plastic Performance Curve - PTFE

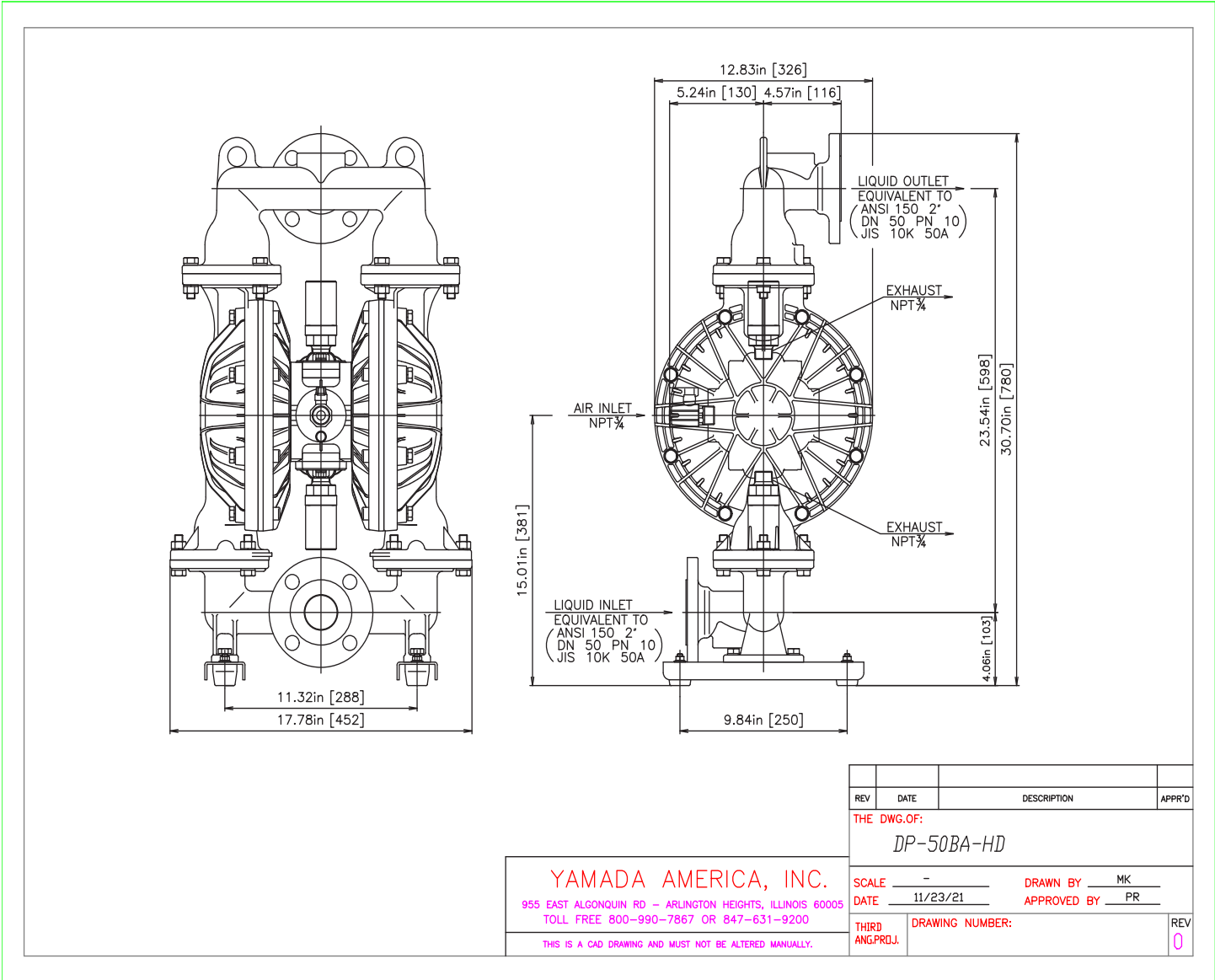
## PTFE Diaphragm Performance Curve



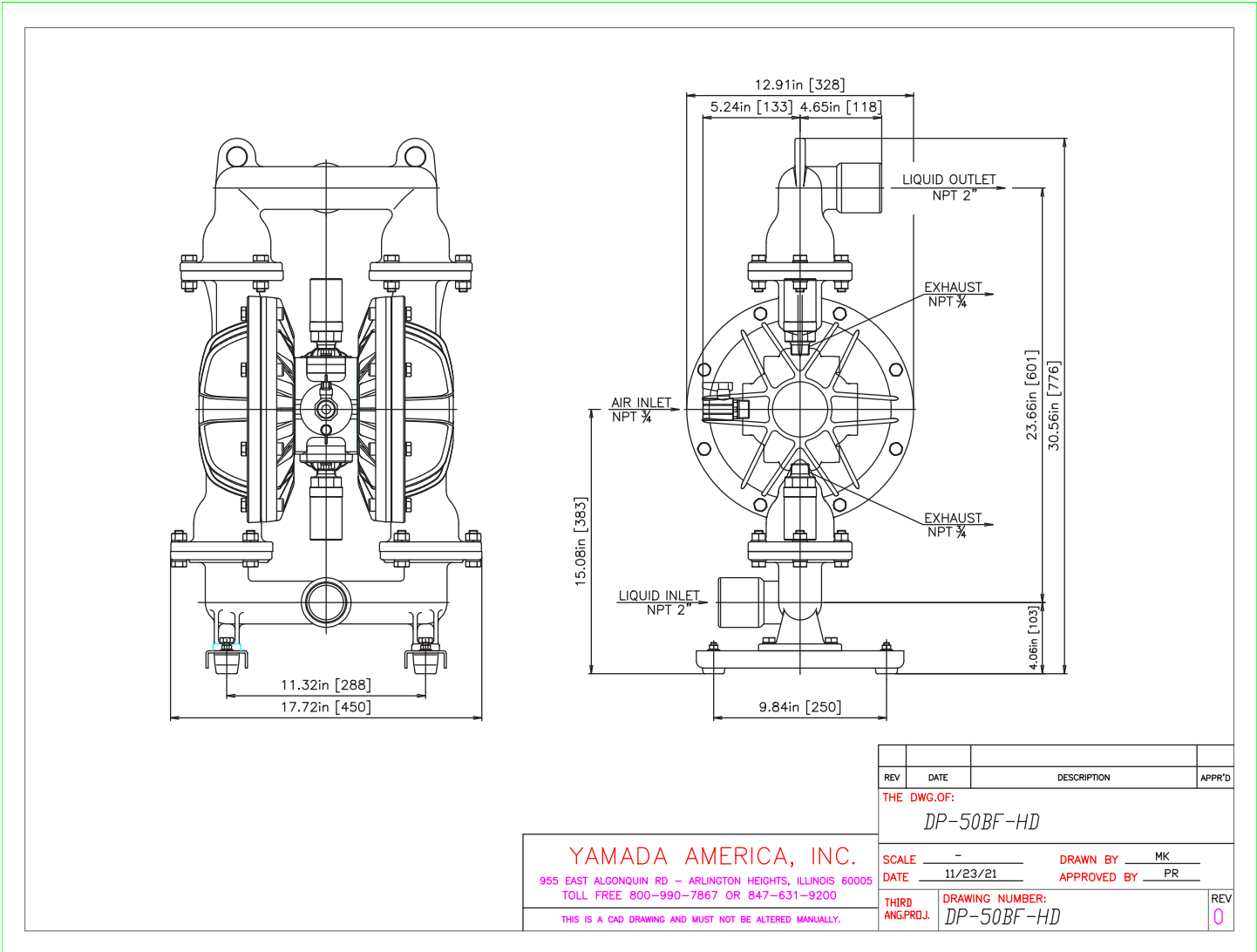
To calculate performance for Santoprene® and Hytrel® fitted pumps, use Rubber Diaphragm Curve.

[yamadapump.com](http://yamadapump.com)

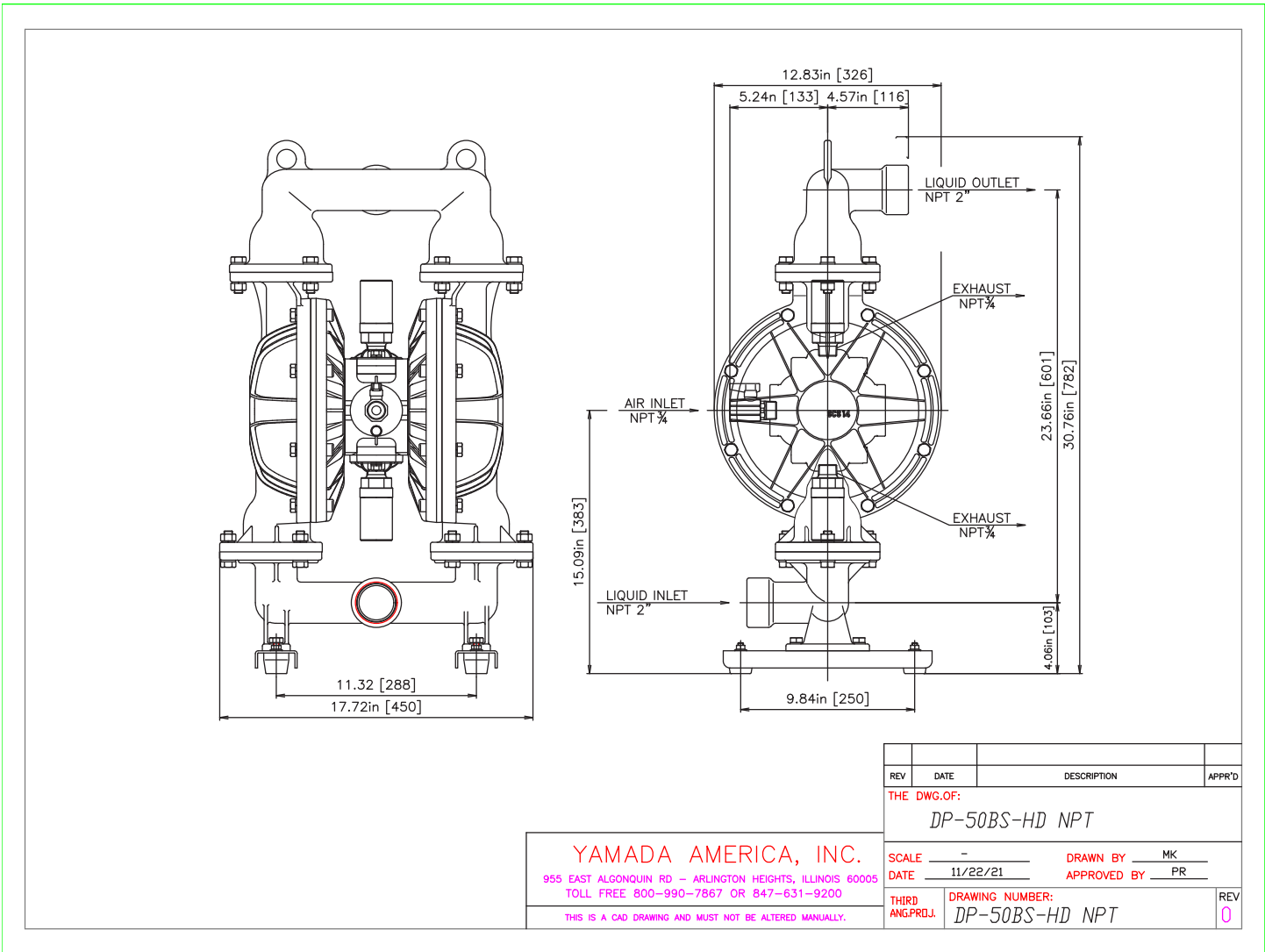
# DP-50 Aluminum



# DP-50 Cast Iron

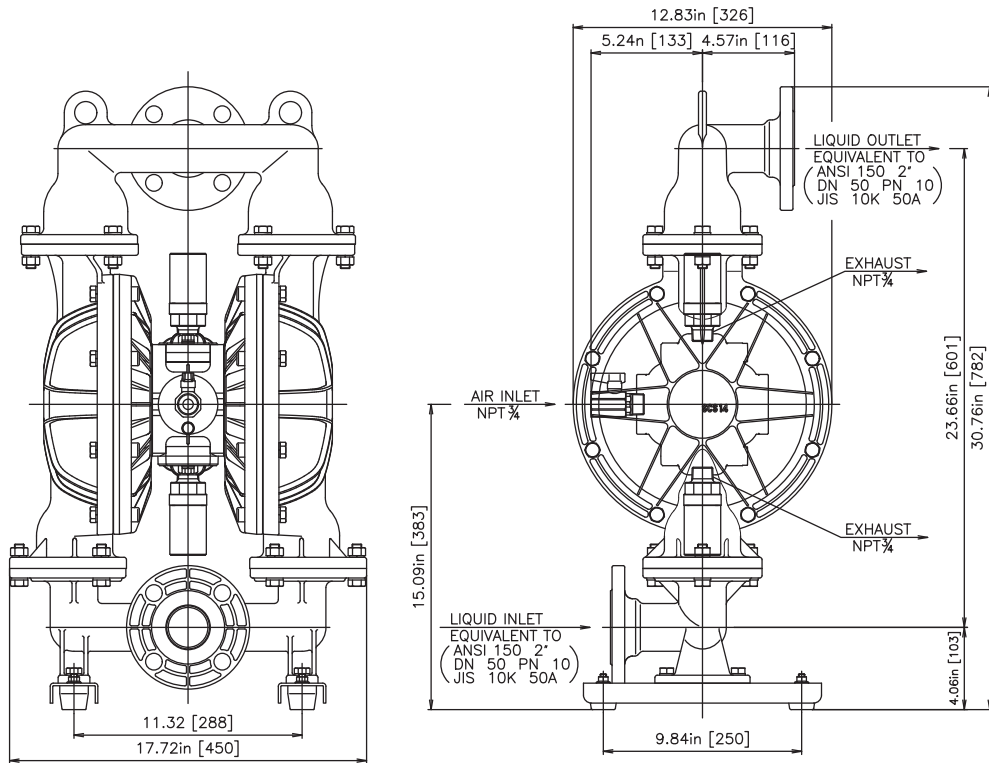


# DP-50 Stainless Steel - NPT





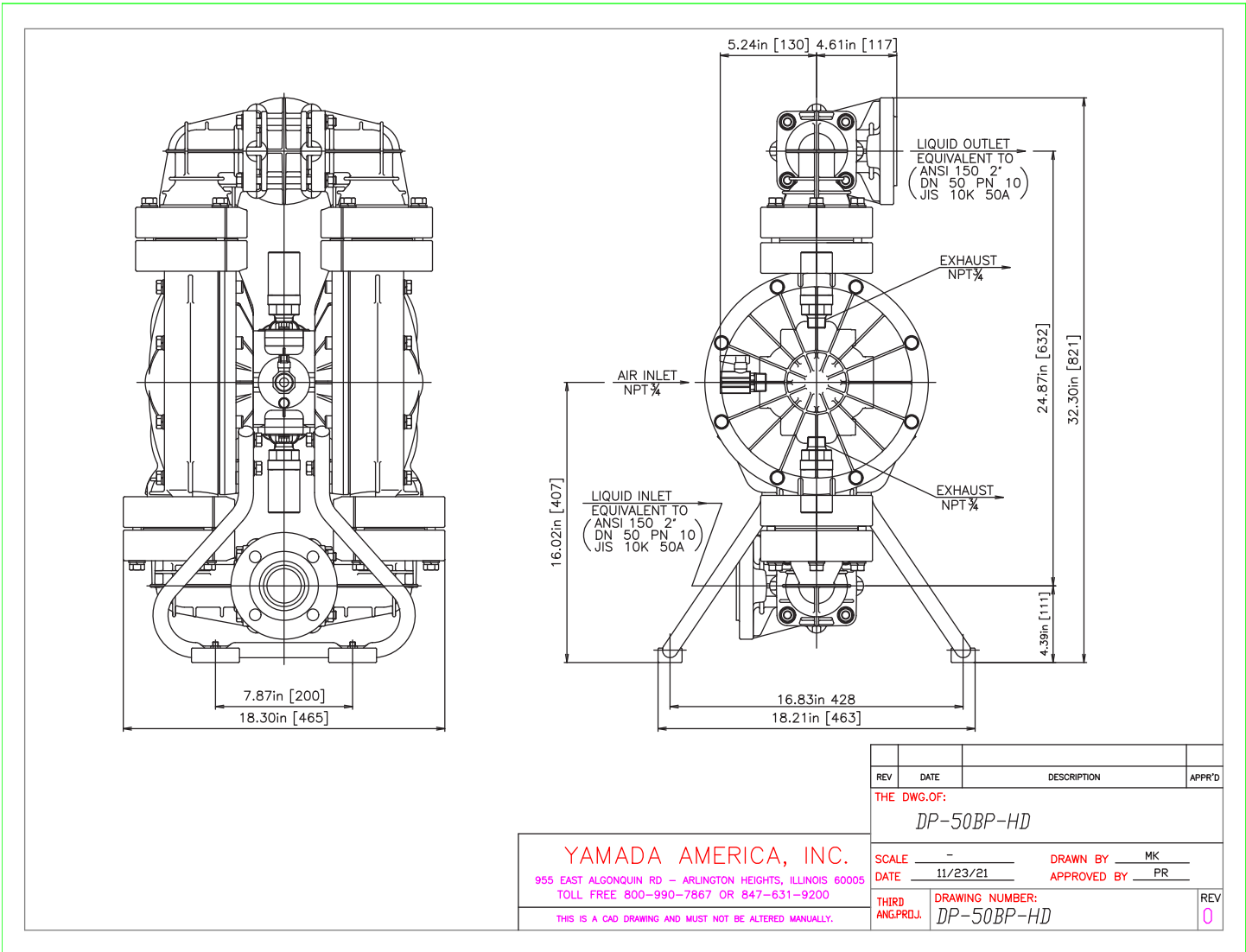
# DP-50 Stainless Steel - FLG



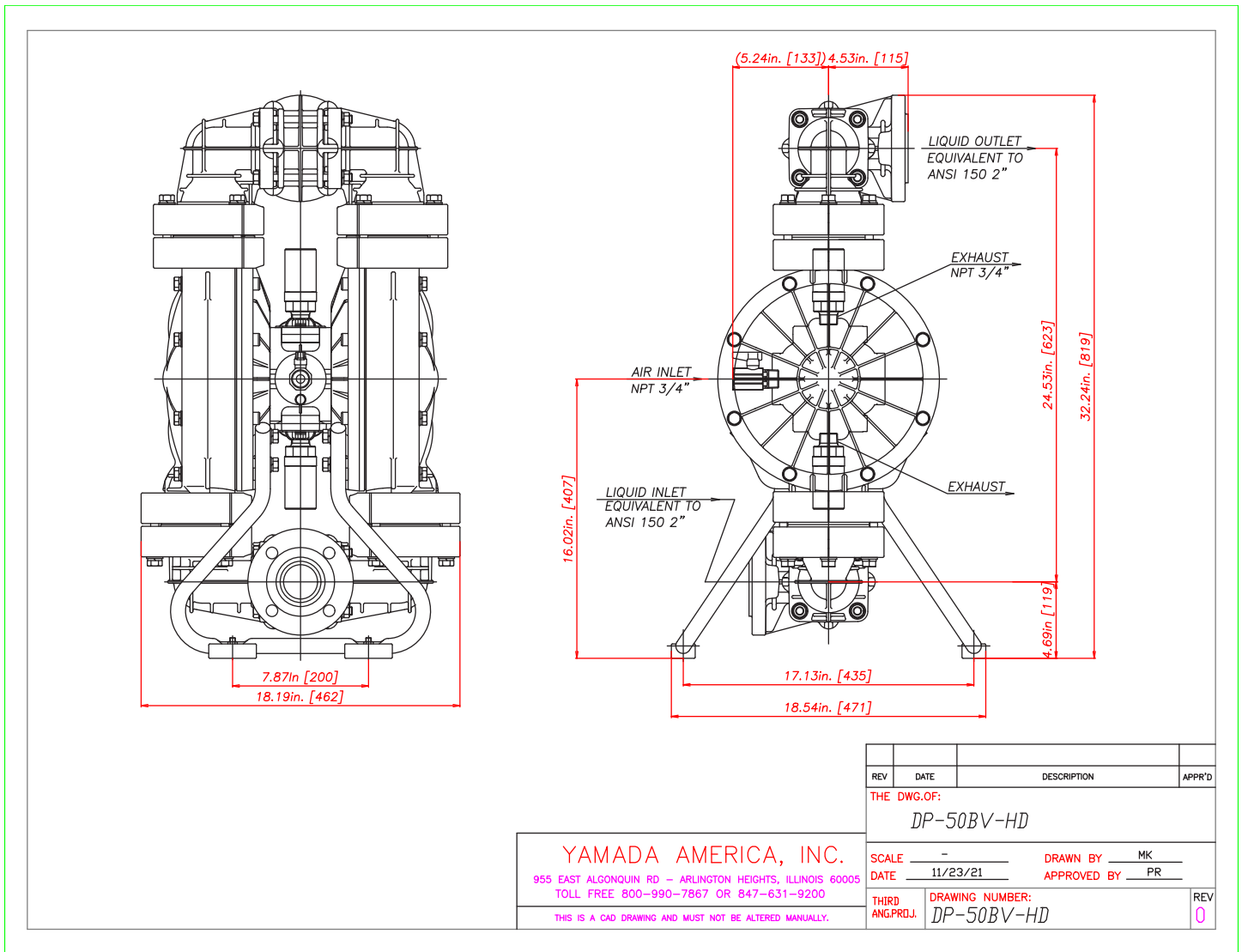
**YAMADA AMERICA, INC.**  
 955 EAST ALGONQUIN RD - ARLINGTON HEIGHTS, ILLINOIS 60005  
 TOLL FREE 800-990-7867 OR 847-631-9200  
 THIS IS A CAD DRAWING AND MUST NOT BE ALTERED MANUALLY.

REV	DATE	DESCRIPTION	APPR'D
THE DWG. OF: <i>DP-50BS-HD</i>			
SCALE -		DRAWN BY <u>MK</u>	
DATE <u>11/22/21</u>		APPROVED BY <u>PR</u>	
THIRD ANG. PROJ.	DRAWING NUMBER: <i>DP-50BS-HD</i>		REV <u>0</u>

# DP-50 Polypropylene



# DP-50 Kynar



**AutoCAD®** is a registered trademark of Autodesk, Inc.

**Hytrel®** is a registered trademark of E.I. du Pont de Nemours and Company.

**Kynar®** is a registered trademark of Arkema.

**Nordel™** is a trademark of DuPont Dow Elastomers.

**Ryton®** is a registered trademark of Chevron Phillips Chemical Company.

**Santoprene®** is a registered trademark of Advanced Elastomer Systems.

**Viton®** is a registered trademark of DuPont Performance Elastomers.

**Swagelok™ & VCR™** are trademarks of the Swagelok Companies.

**Flaretek®** is a registered trademark of Entegris.

**Garlock ONE-UP®** is a registered trademark of W.L. Gore & Associates.

**Yamada®** is a registered trademark of Yamada America, Inc.

**SolidPRO Designed to Pump Fluids Containing Solids®** is a registered trademark of Yamada America, Inc.

**Xtreme Duty Pro XDP®** is a registered trademark of Yamada America, Inc.

**The Proof's in the Pump®** is a registered trademark of Yamada America, Inc.

**The Proof is in the Pump®** is a registered trademark of Yamada America, Inc.

**Engineered to Perform. Designed to Outlast.®** is a trademark of Yamada America, Inc.

Due to Yamada's continued commitment to product improvement, specifications may change without notice.