

DP-80 Specifications

Xtreme Duty Pro XDP® Heavy Duty

Port Dimensions (161.1 GPM Max.)

Intake & discharge connection:

Aluminum (ADC-12)	3" ANSI B16.5 #150 (with tapped 3" Female NPT)
Polypropylene (PPG)	3" ANSI B16.5 #150
Stainless Steel (316)	3" ANSI B16.5 #150 or 3" Female NPT
Cast Iron	3" Female NPT
Air inlet (incl. ball valve):	3/4" Female NPT
Air exhaust (incl. silencer):	1" Female NPT

Maximum Liquid Temperature*

Diaphragm Material	Temperature
Buna N	180°F (82°C)
Neoprene	180°F (82°C)
Santoprene® (TPO)	180°F (82°C)
EPDM	212°F (100°C)
PTFE	212°F (100°C)
Hytrell® (TPEE)	248°F (120°C)
Viton® fluoroelastomer	248°F (120°C)

*The maximum liquid temperature for metal pumps is determined by the elastomer (diaphragm material). Polypropylene pumps have a maximum liquid temperature of 180°F (82°C) regardless of diaphragm material.

Air Supply Pressure (All Models)

20–125 PSI (1.4–8.7 kgf/cm²)

Discharge Volume Per Cycle

Rubber diaphragm: 1.69 gallons
PTFE diaphragm: 0.81 gallons

Maximum Cycles Per Minute

Rubber diaphragm: 610
PTFE diaphragms: 360

Maximum Size Solid

25/64" (10 mm)

Maximum Dry Suction Lift

Rubber fitted pump capability: 16'
PTFE fitted pump capability: 9'

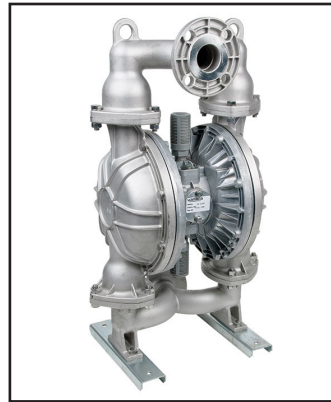
Air Motor

Aluminum air motor standard on all pumps.

Valve Type

Ball

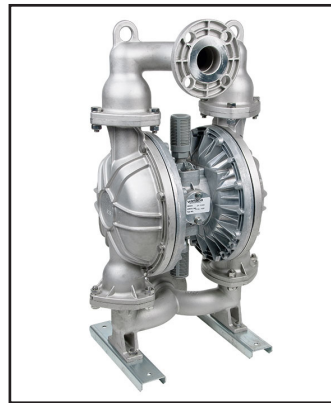
Notes: Santoprene® fitted pumps include EPDM wetted o-rings.



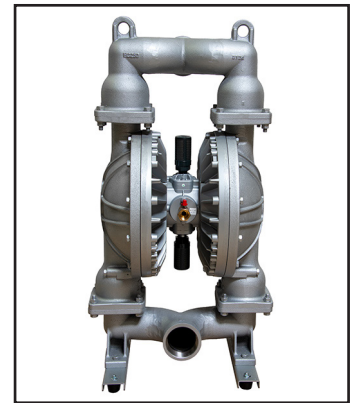
Aluminum
Dimensions: 20.57"W x 39.3"H
Net Wt.: 136 lbs. (61.7 kg)
Shipping Wt.: 146 lbs.



Polypropylene
NPT Dimensions: 22.84"W x 41.10"H
Net Wt.: 148.8 lbs. (67.5 kg)
Shipping Wt.: 158 lbs.

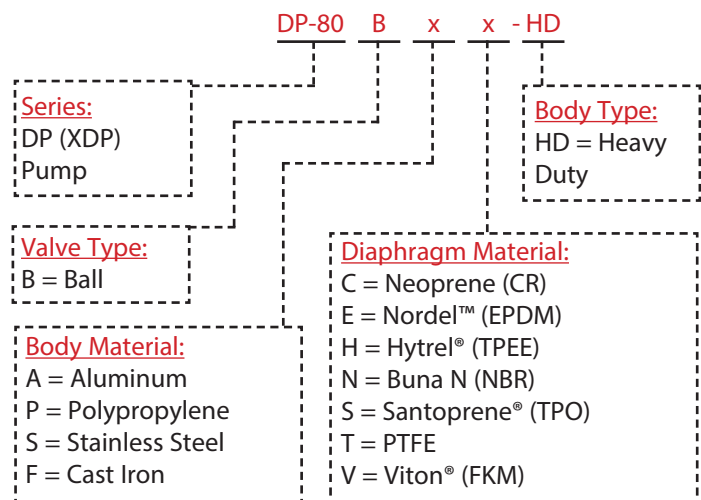


Stainless Steel
FLG & NPT Dimensions:
20.51"W x 38.73"H
Net Wt.: 218.3 lbs. (99 kg)
Shipping Wt.: 228 lbs.



Cast Iron
Dimensions: 20.51"W x 38.73"H
Net Wt.: 240 lbs. (109 kg)
Shipping Wt.: 250 lbs.

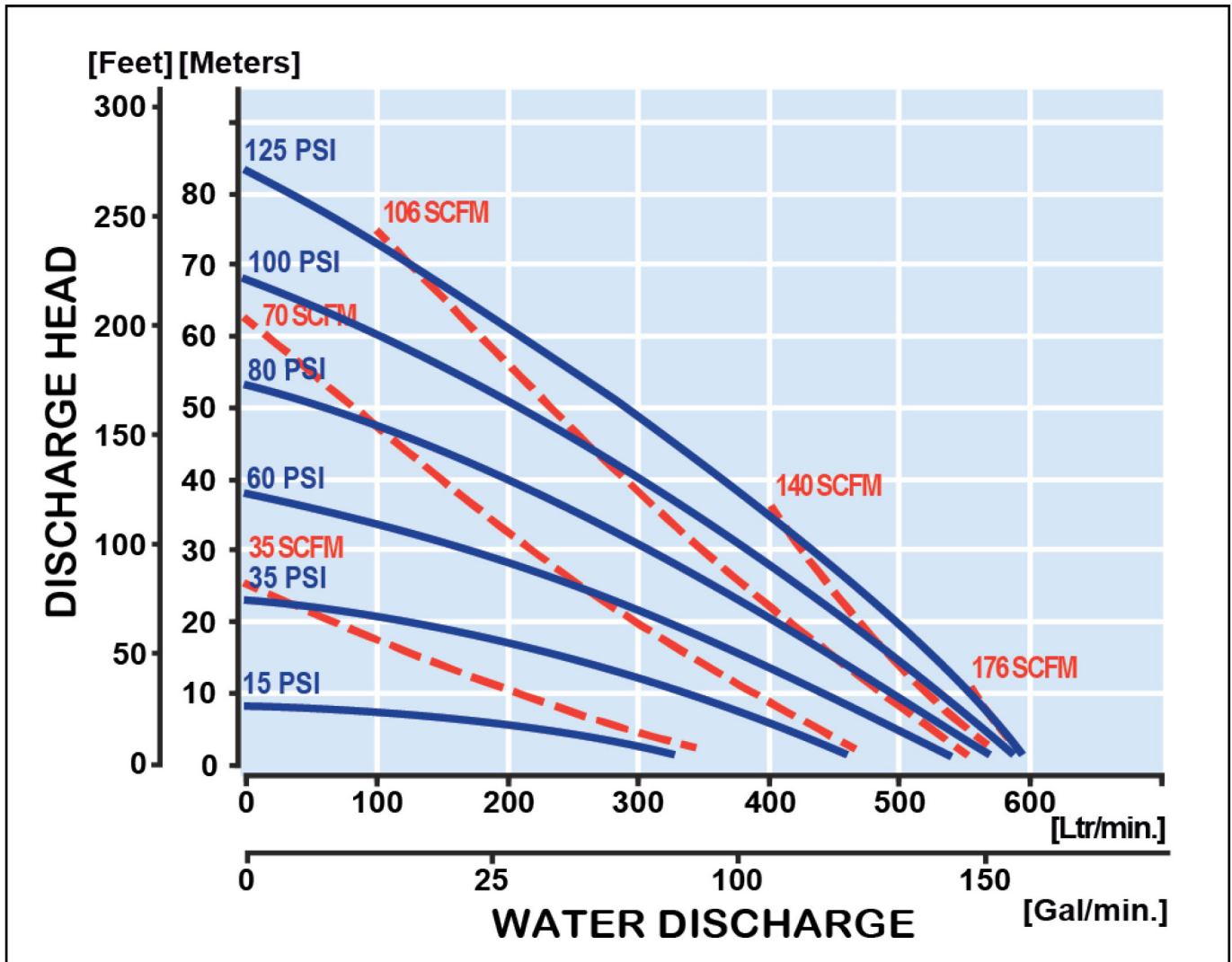
Model Number Nomenclature



aodd ir

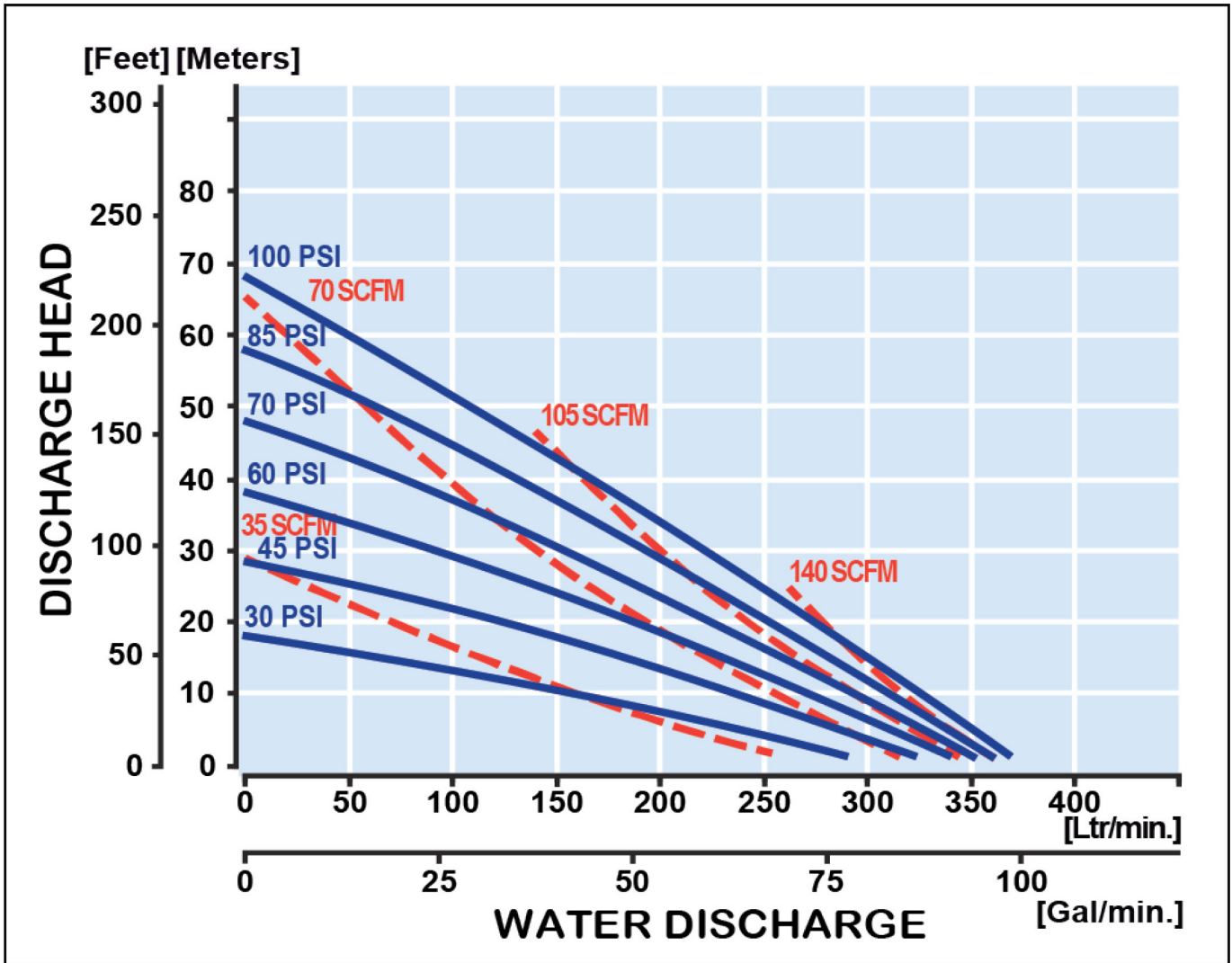
DP-80 Metal Performance Curve - Rubber

Rubber Diaphragm Performance Curve



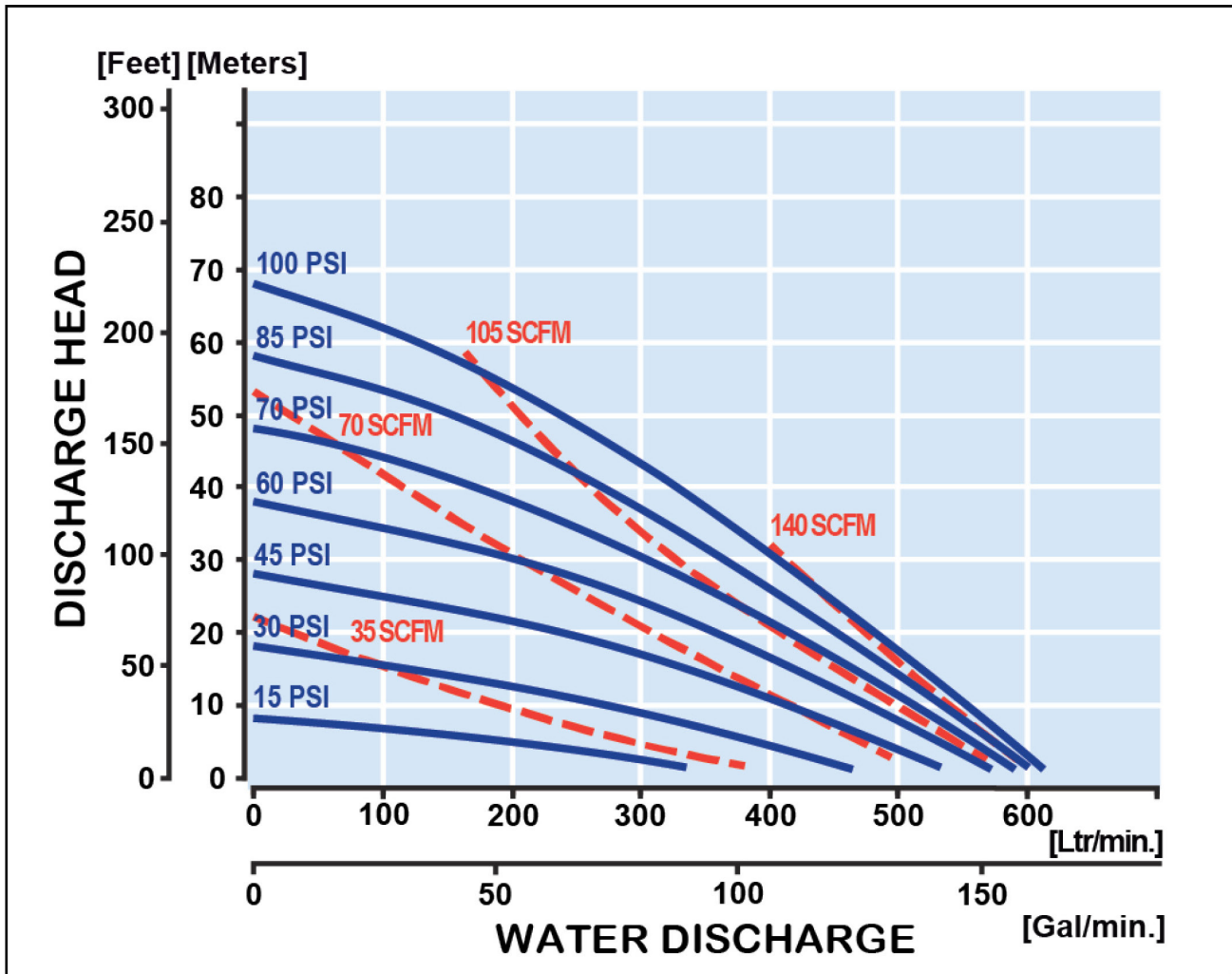
DP-80 Metal Performance Curve - PTFE

PTFE Diaphragm Performance Curve



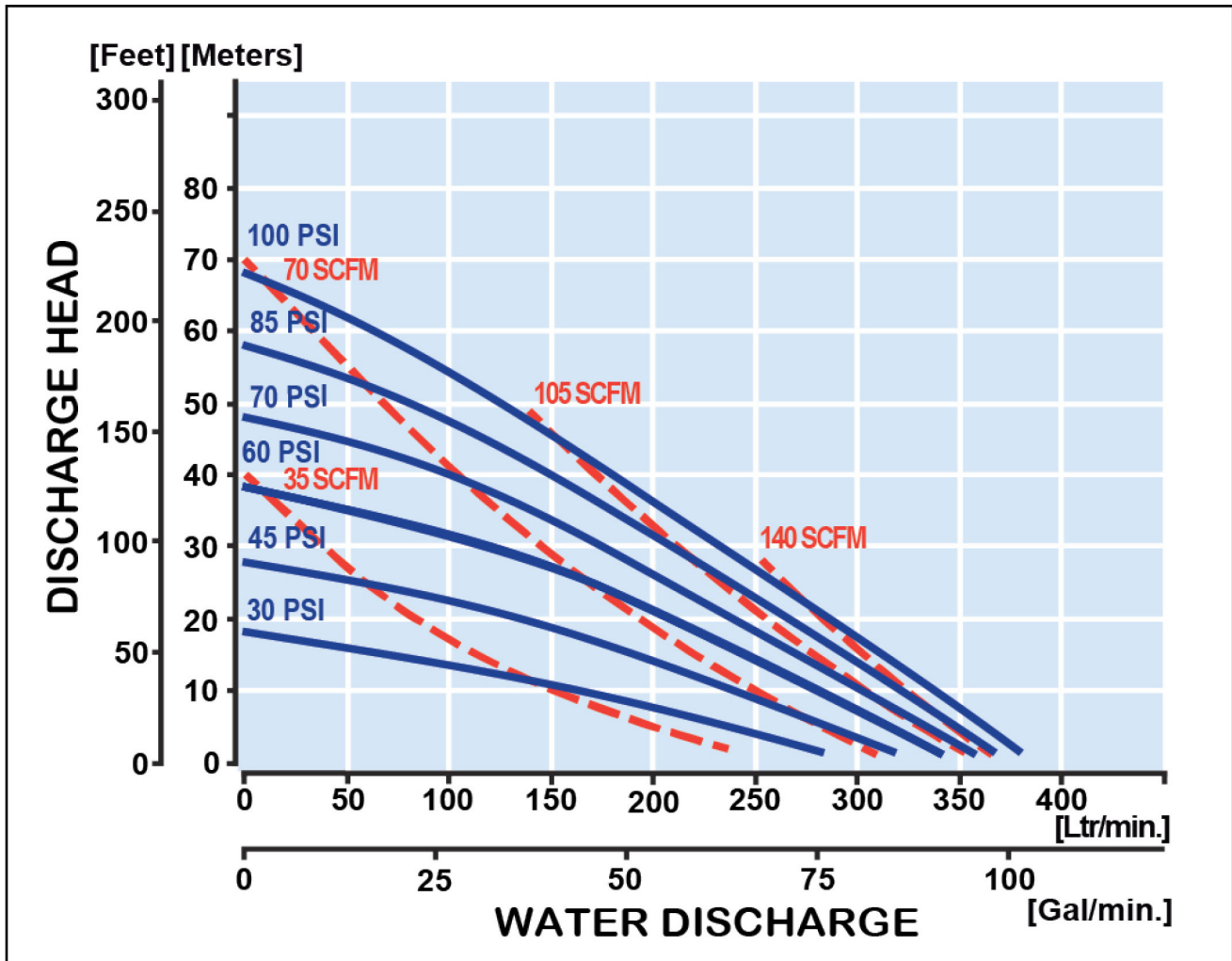
DP-80 Plastic Performance Curve - Rubber

Rubber Diaphragm Performance Curve

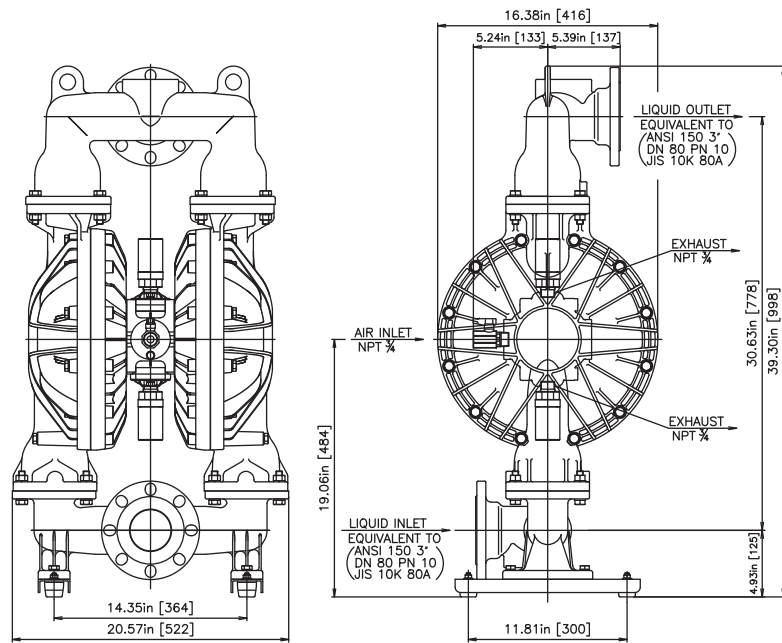


DP-80 Plastic Performance Curve - PTFE

PTFE Diaphragm Performance Curve



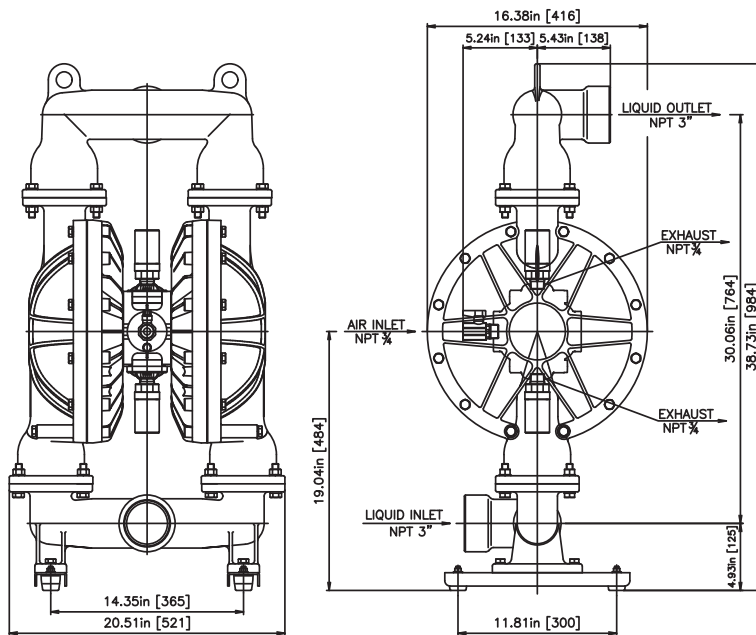
DP-80 Aluminum



REV	DATE	DESCRIPTION	APPR'D
THE DWG.OF:			
DP-80BA-HD			
SCALE		-	DRAWN BY MK
DATE		12/06/21	APPROVED BY PR
THIRD ANG.PROJ.	DRAWING NUMBER:		REV
	DP-80BA-HD		0

YAMADA AMERICA, INC.
 955 EAST ALGONQUIN RD - ARLINGTON HEIGHTS, ILLINOIS 60005
 TOLL FREE 800-990-7867 OR 847-631-9200
THIS IS A CAD DRAWING AND MUST NOT BE ALTERED MANUALLY.

DP-80 Cast Iron

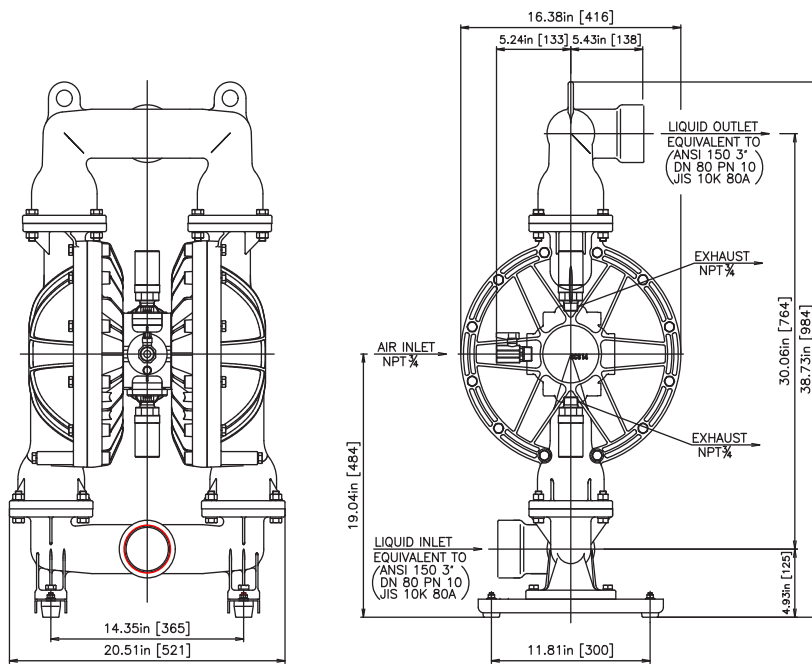


YAMADA AMERICA, INC.
 955 EAST ALGONQUIN RD - ARLINGTON HEIGHTS, ILLINOIS 60005
 TOLL FREE 800-990-7867 OR 847-631-9200
 THIS IS A CAD DRAWING AND MUST NOT BE ALTERED MANUALLY.

REV	DATE	DESCRIPTION	APPR'D
THE DWG.OF: <i>DP-80BF-HD</i>			
SCALE <u> </u>		DRAWN BY <u> MK </u>	
DATE <u> 12/06/21 </u>		APPROVED BY <u> PR </u>	
THIRD ANGPLD.	DRAWING NUMBER: <i>DP-80BF-HD</i>		REV 0

add ir

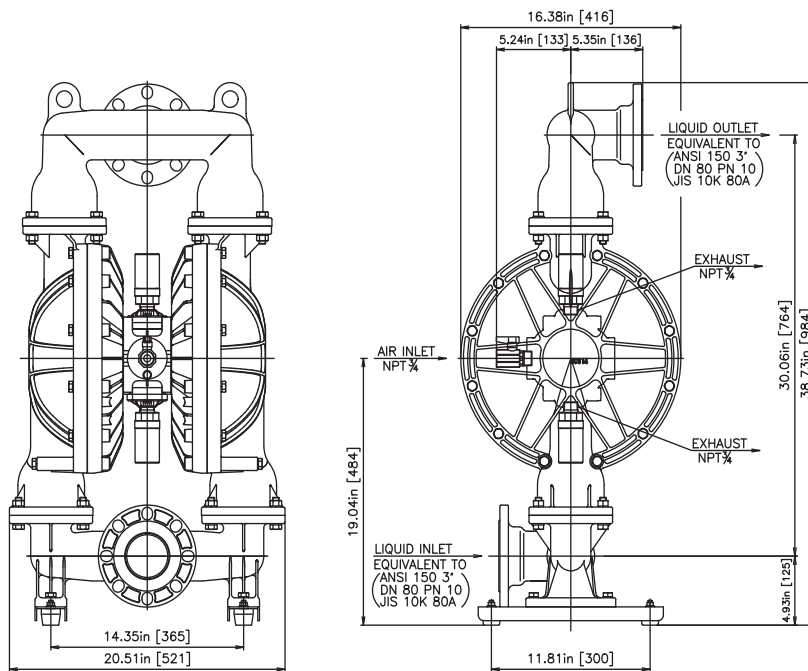
DP-80 Stainless Steel - NPT



YAMADA AMERICA, INC.
 955 EAST ALGONQUIN RD - ARLINGTON HEIGHTS, ILLINOIS 60005
 TOLL FREE 800-990-7867 OR 847-631-9200
 THIS IS A CAD DRAWING AND MUST NOT BE ALTERED MANUALLY.

REV	DATE	DESCRIPTION	APPR'D
THE DWG. OF:			
DP-80BS-HD NPT			
SCALE	-	DRAWN BY	MK
DATE	12/06/21	APPROVED BY	PR
THIRD ANG. PRD.	DRAWING NUMBER:		REV
	DP-80BS-HD NPT		0

DP-80 Stainless Steel - FLG



REV	DATE	DESCRIPTION	APPR'D
THE DWG.OF: <i>DP-80BS-HD</i>			
SCALE -		DRAWN BY MK	
DATE 12/06/21		APPROVED BY PR	
THIRD ANGPRIJ.	DRAWING NUMBER: <i>DP-80BS-HD</i>		REV 0

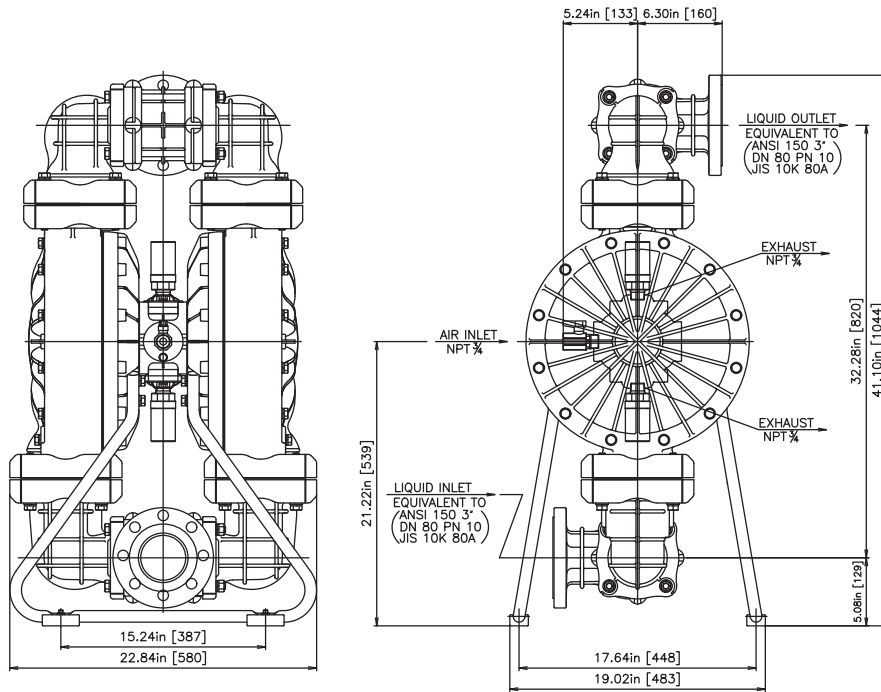
YAMADA AMERICA, INC.

955 EAST ALGONQUIN RD - ARLINGTON HEIGHTS, ILLINOIS 60005
TOLL FREE 800-990-7867 OR 847-631-9200

THIS IS A CAD DRAWING AND MUST NOT BE ALTERED MANUALLY.

add ir

DP-80 Polypropylene



REV	DATE	DESCRIPTION	APPR'D
THE DWG.OF:			
<i>DP-80BP-HD</i>			
SCALE -		DRAWN BY MK	
DATE 12/06/21		APPROVED BY PR	
THIRD ANGPRDJ	DRAWING NUMBER:		REV
	<i>DP-80BP-HD</i>		0

YAMADA AMERICA, INC.
 955 EAST ALGONQUIN RD. - ARLINGTON HEIGHTS, ILLINOIS 60005
 TOLL FREE 800-990-7867 OR 847-631-9200
THIS IS A CAD DRAWING AND MUST NOT BE ALTERED MANUALLY.

AutoCAD® is a registered trademark of Autodesk, Inc.

Hytrel® is a registered trademark of E.I. du Pont de Nemours and Company.

Kynar® is a registered trademark of Arkema.

Nordel™ is a trademark of DuPont Dow Elastomers.

Ryton® is a registered trademark of Chevron Phillips Chemical Company.

Santoprene® is a registered trademark of Advanced Elastomer Systems.

Viton® is a registered trademark of DuPont Performance Elastomers.

Swagelok™ & VCR™ are trademarks of the Swagelok Companies.

Flaretek® is a registered trademark of Entegris.

Garlock ONE-UP® is a registered trademark of W.L. Gore & Associates.

Yamada® is a registered trademark of Yamada America, Inc.

SolidPRO Designed to Pump Fluids Containing Solids® is a registered trademark of Yamada America, Inc.

Xtreme Duty Pro XDP® is a registered trademark of Yamada America, Inc.

The Proof's in the Pump® is a registered trademark of Yamada America, Inc.

The Proof is in the Pump® is a registered trademark of Yamada America, Inc.

Engineered to Perform. Designed to Outlast.® is a registered trademark of Yamada America, Inc.

Due to Yamada's continued commitment to product improvement, specifications may change without notice.

aodd.ir