

NDP-20 Specifications

Port Dimensions (31.7 GPM Max.)

Intake & discharge connection:

Polypropylene (PPG)	3/4" Female NPT
Aluminum (ADC-12)	3/4" Female NPT
Stainless Steel (316)	3/4" Female NPT
Air inlet (incl. ball valve):	1/4" Female NPT
Air exhaust (incl. silencer):	3/4" Female NPT

ANSI Flange also available — consult Yamada.

Maximum Liquid Temperature*

Diaphragm Material	Temperature
Buna N	180°F (82°C)
Neoprene	180°F (82°C)
Santoprene® (TPO)	180°F (82°C)
EPDM	212°F (100°C)
PTFE	212°F (100°C)
Hytrel® (TPEE)	248°F (120°C)
Viton® fluoroelastomer	248°F (120°C)

*The maximum liquid temperature for metal and Kynar® fitted pumps is determined by the elastomer (diaphragm material). Polypropylene pumps have a maximum liquid temperature of 180°F (82°C) regardless of diaphragm material.

Air Supply Pressure (All Models)

20–100 PSI (1.4–7 kfg/cm)

Discharge Volume Per Cycle

Rubber diaphragm: 0.163 gallons (615 cc)
PTFE diaphragm: 0.143 gallons (539 cc)

Maximum Cycles Per Minute

Rubber diaphragm: 195
PTFE diaphragm: 195

Maximum Size Solid

1/16" (2.0 mm)

Maximum Dry Suction Lift

Rubber-fitted pump capability: 18-feet

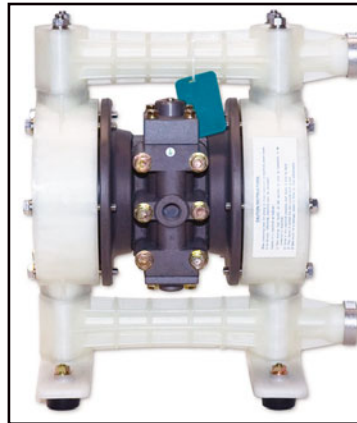
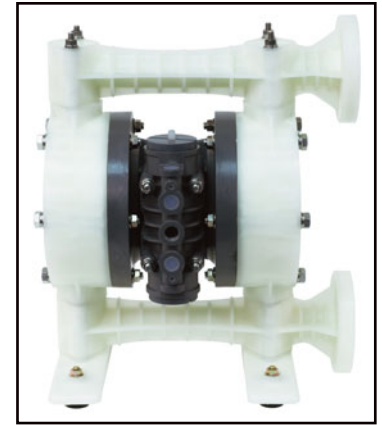
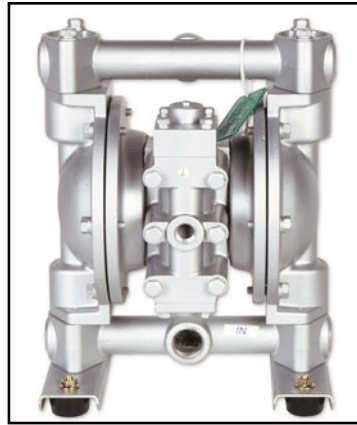
Air Motors

Aluminum air motor is standard on metal pumps. Polypropylene air motor is standard on polypropylene and Kynar® pumps.

Optional air motors: Polypropylene air motor for metal pumps; PTFE grey coating (XP) for aluminum motors.

Optional Split Manifold—contact Yamada

Notes: Hytrel® fitted pumps include Buna N check balls & wetted o-rings. Santoprene® fitted pumps include Santoprene® check balls & EPDM wetted o-rings.



Aluminum (NPT)

Dimensions: 9.80" W × 12.60" H
Net Wt.: 19.8 lbs. (9.0 kg)
Shipping Wt.: 23 lbs.

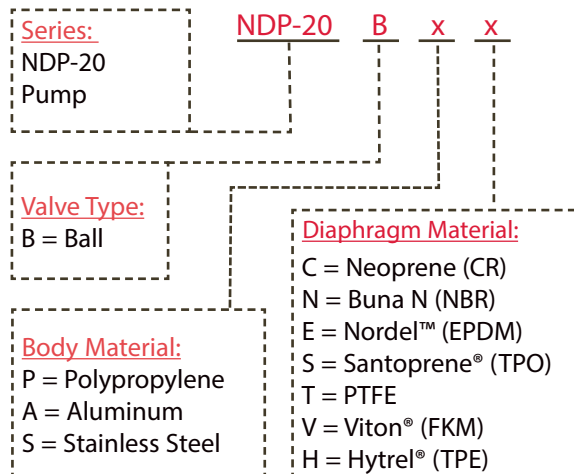
Polypropylene

ANSI Flange Dimensions:
12.44" W × 14.75" H
NPT Dimensions:
12.44" W × 14.50" H
Net Wt.: 17.6 lbs. (8.2 kg)
Shipping Wt.: 22.6 lbs.

Stainless Steel (NPT)

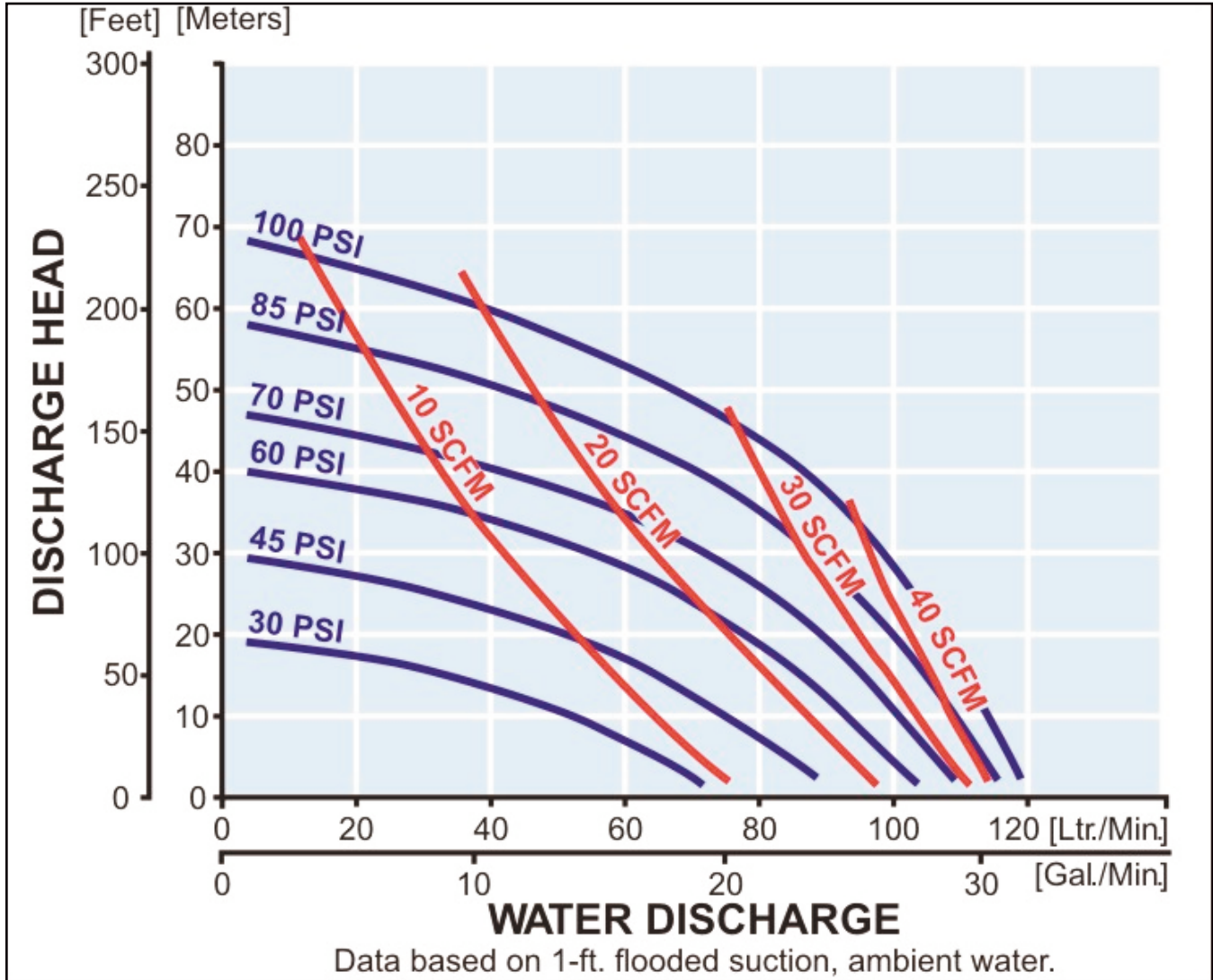
Dimensions: 9.80" W × 12.60" H
Net Wt.: 30.8 lbs. (13.9 kg)
Shipping Wt.: 32 lbs.

Model Number Nomenclature



NDP-20 Performance Curve – Rubber

Rubber Diaphragm Performance Curve

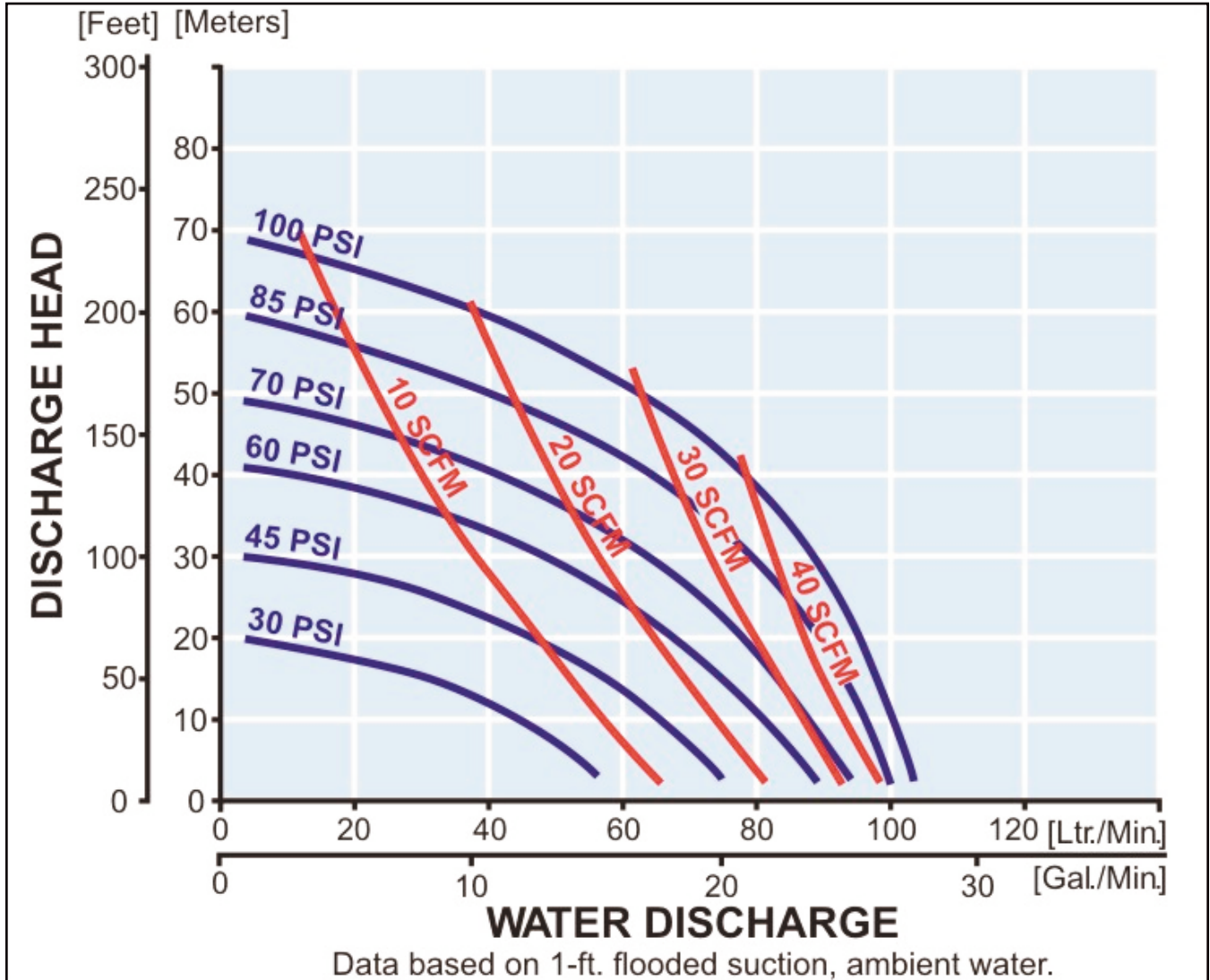


To calculate performance for Santoprene® and Hytrel®-fitted pumps, use Rubber Diaphragm Curve.

aodd.ir

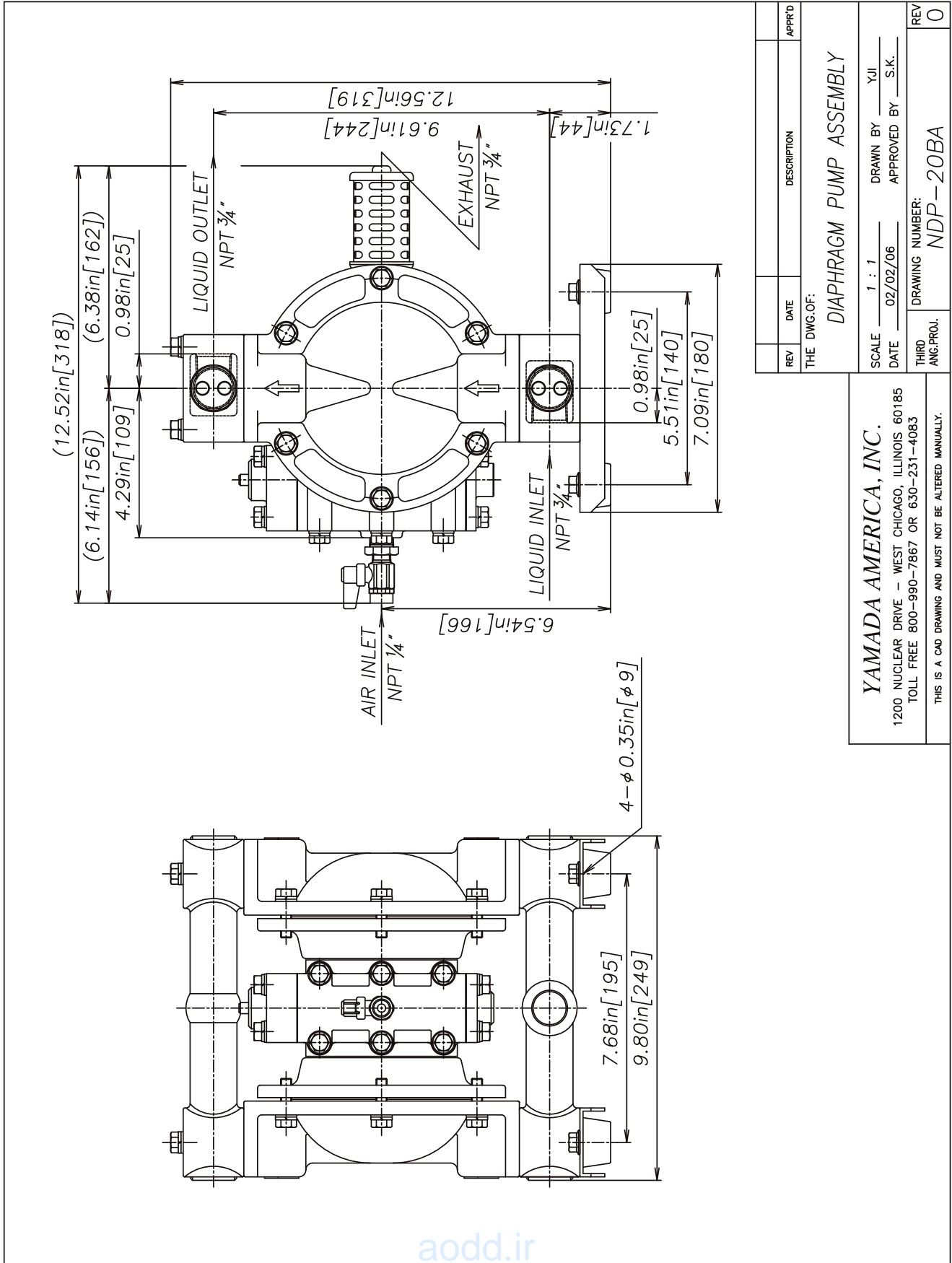
NDP-20 Performance Curve – PTFE

PTFE Diaphragm Performance Curve



To calculate performance for Santoprene® and Hytrel®-fitted pumps, use Rubber Diaphragm Curve.

aodd.ir



aodd.ir

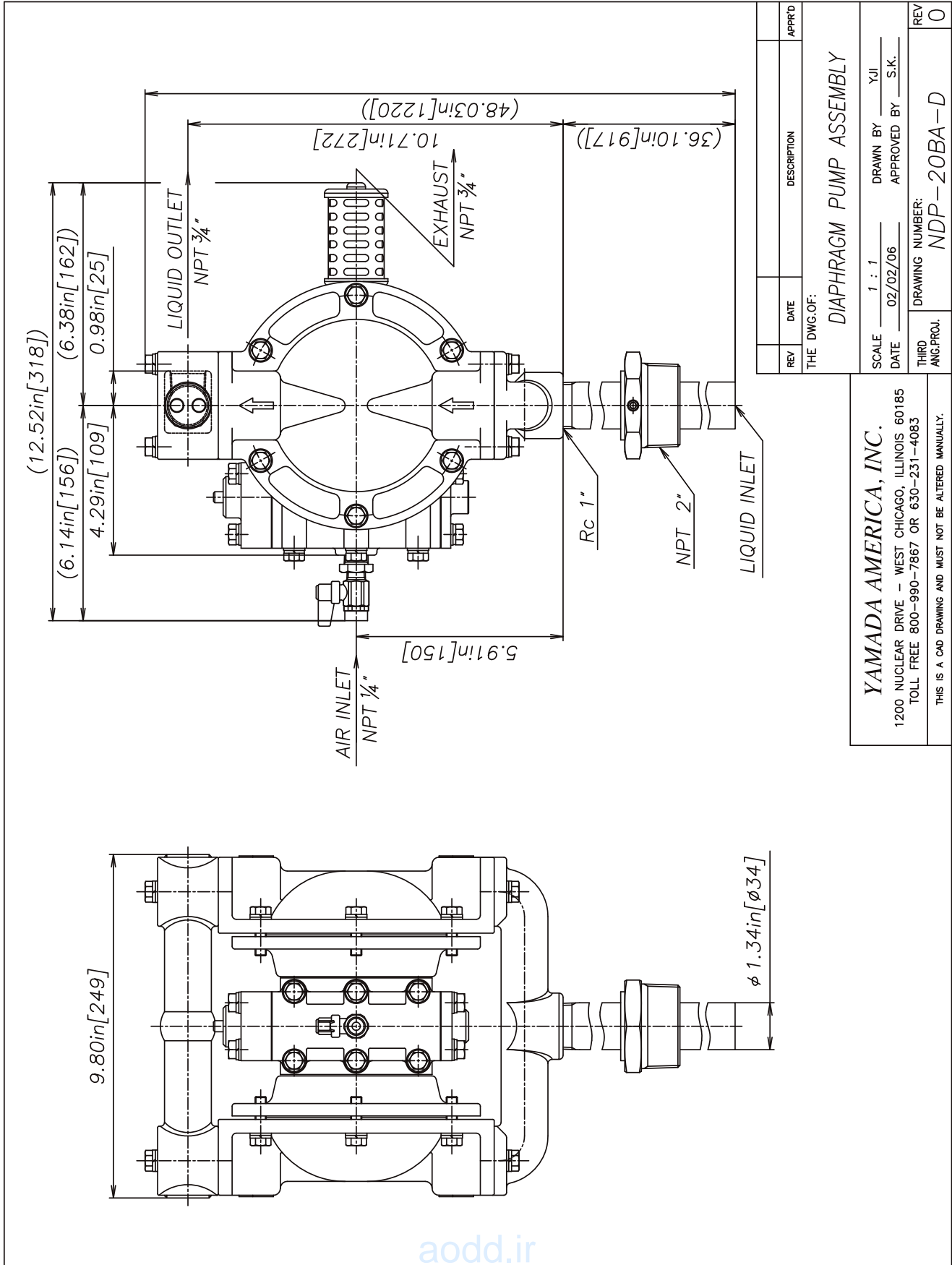
REV	DATE	DESCRIPTION	APPR'D
		DIAPHRAGM PUMP ASSEMBLY	

THE DWG.OF:

SCALE 1 : 1 DRAWN BY YJI
DATE 02/02/06 APPROVED BY S.K.

THIRD ANG.PROJ. DRAWING NUMBER: NDP-20BA REV 0

YAMADA AMERICA, INC.
1200 NUCLEAR DRIVE - WEST CHICAGO, ILLINOIS 60185
TOLL FREE 800-990-7867 OR 630-231-4083
THIS IS A CAD DRAWING AND MUST NOT BE ALTERED MANUALLY.



REV	DATE	DESCRIPTION	APPR'D

THE DWG. OF: **DIAPHRAGM PUMP ASSEMBLY**

SCALE: 1 : 1 DRAWN BY: YJI
DATE: 02/02/06 APPROVED BY: S.K.

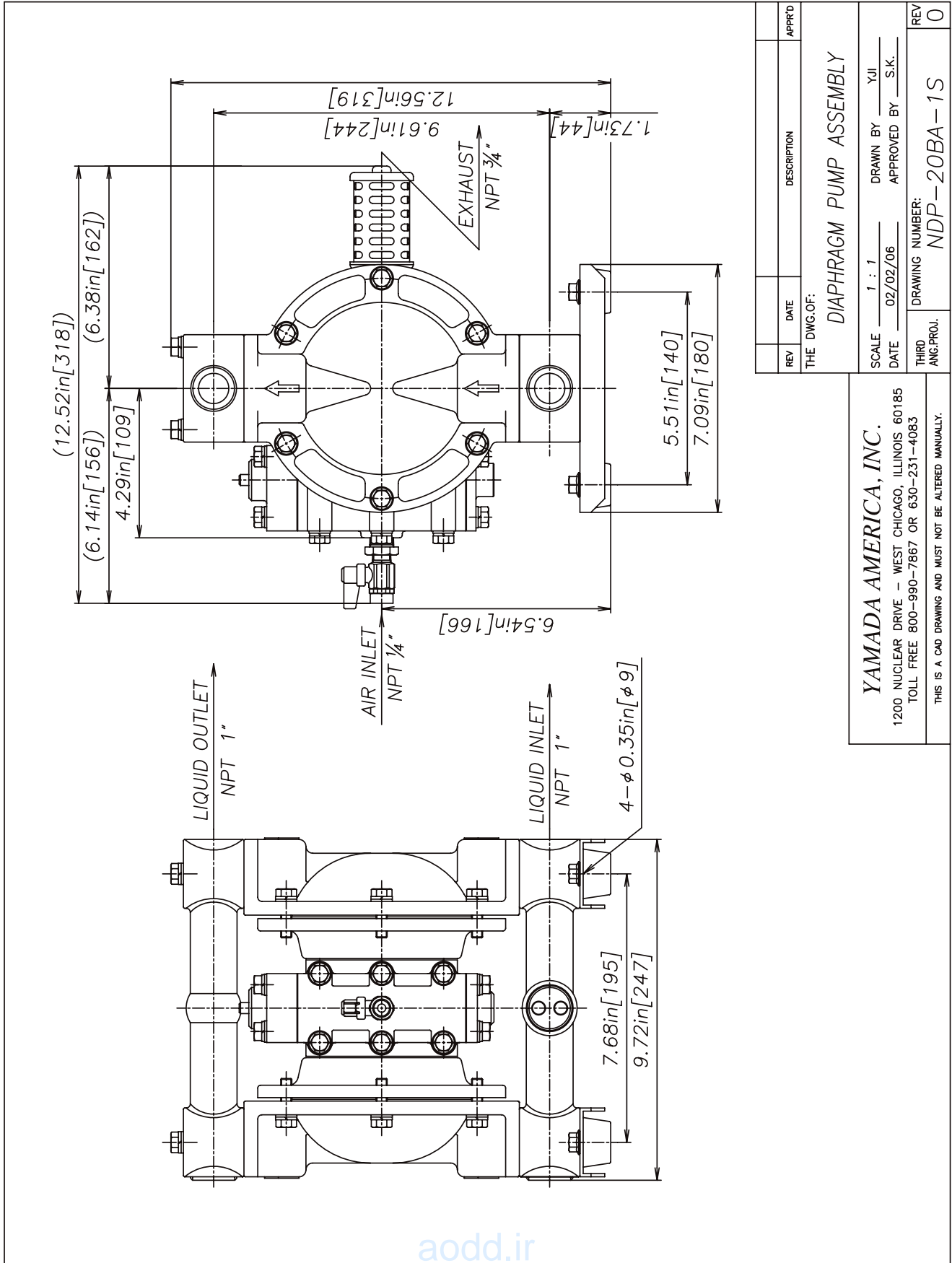
THIRD ANGLE PROJ. DRAWING NUMBER: **NDP-20BA-D** REV: **0**

YAMADA AMERICA, INC.
1200 NUCLEAR DRIVE - WEST CHICAGO, ILLINOIS 60185
TOLL FREE 800-990-7867 OR 630-231-4083
THIS IS A CAD DRAWING AND MUST NOT BE ALTERED MANUALLY.

aodd.ir



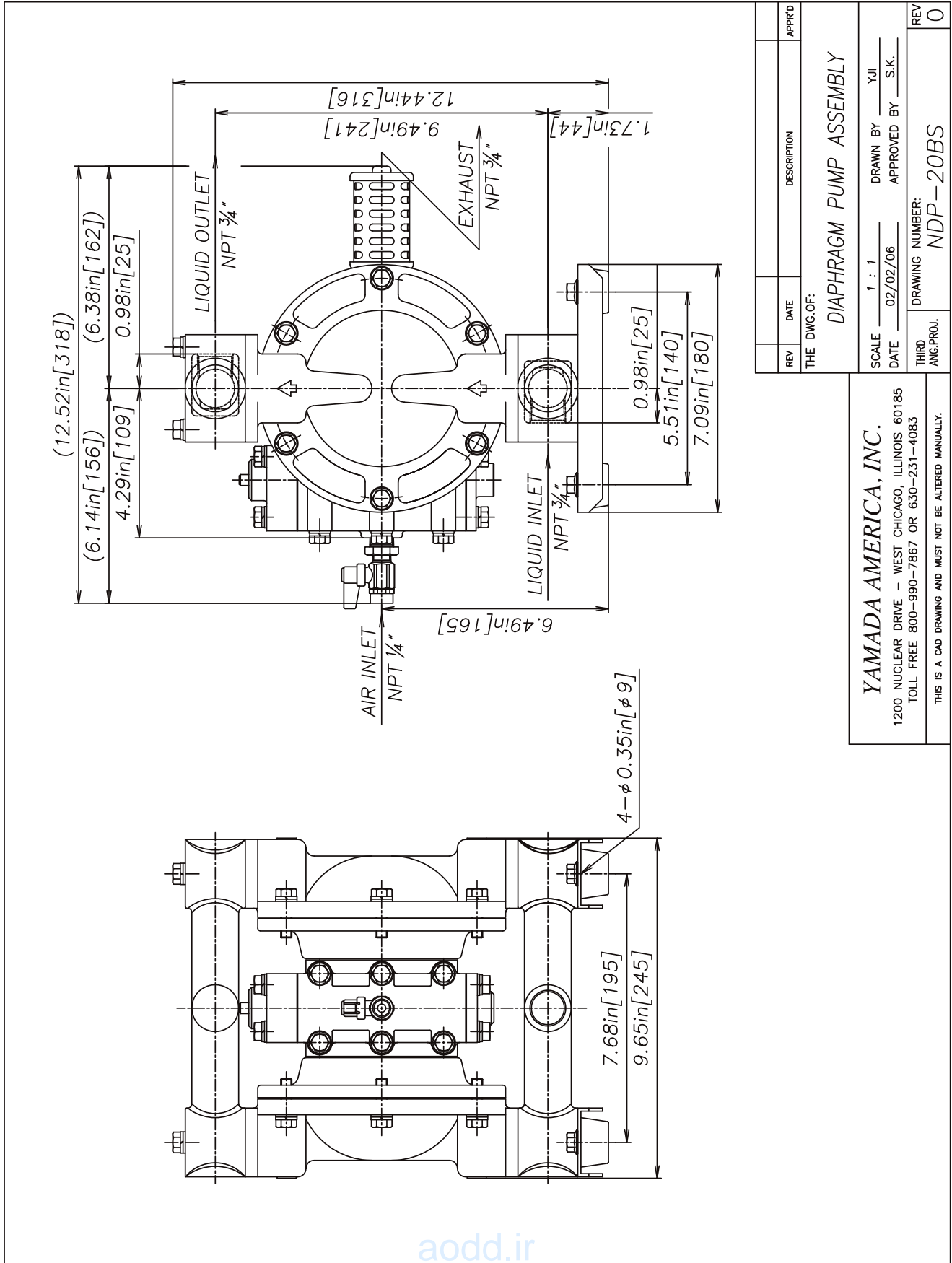
Yamada America, Inc. 955 E. Algonquin Road, Arlington Heights, IL 60005
USA Toll-Free: 800 990-7867 Phone: 847 631-9200 Fax: 847 631-9273
E-mail: sales@yamadapump.com Web: yamadapump.com



aodd.ir

REV	DATE	DESCRIPTION	APPR'D
THE DWG.OF:			
DIAPHRAGM PUMP ASSEMBLY			
SCALE	1 : 1	DRAWN BY	YJI
DATE	02/02/06	APPROVED BY	S.K.
THIRD ANG.PROJ.		DRAWING NUMBER:	NDP-20BA-1S
REV			0

YAMADA AMERICA, INC.
 1200 NUCLEAR DRIVE - WEST CHICAGO, ILLINOIS 60185
 TOLL FREE 800-990-7867 OR 630-231-4083
 THIS IS A CAD DRAWING AND MUST NOT BE ALTERED MANUALLY.



aodd.ir

REV	DATE	DESCRIPTION	APPR'D

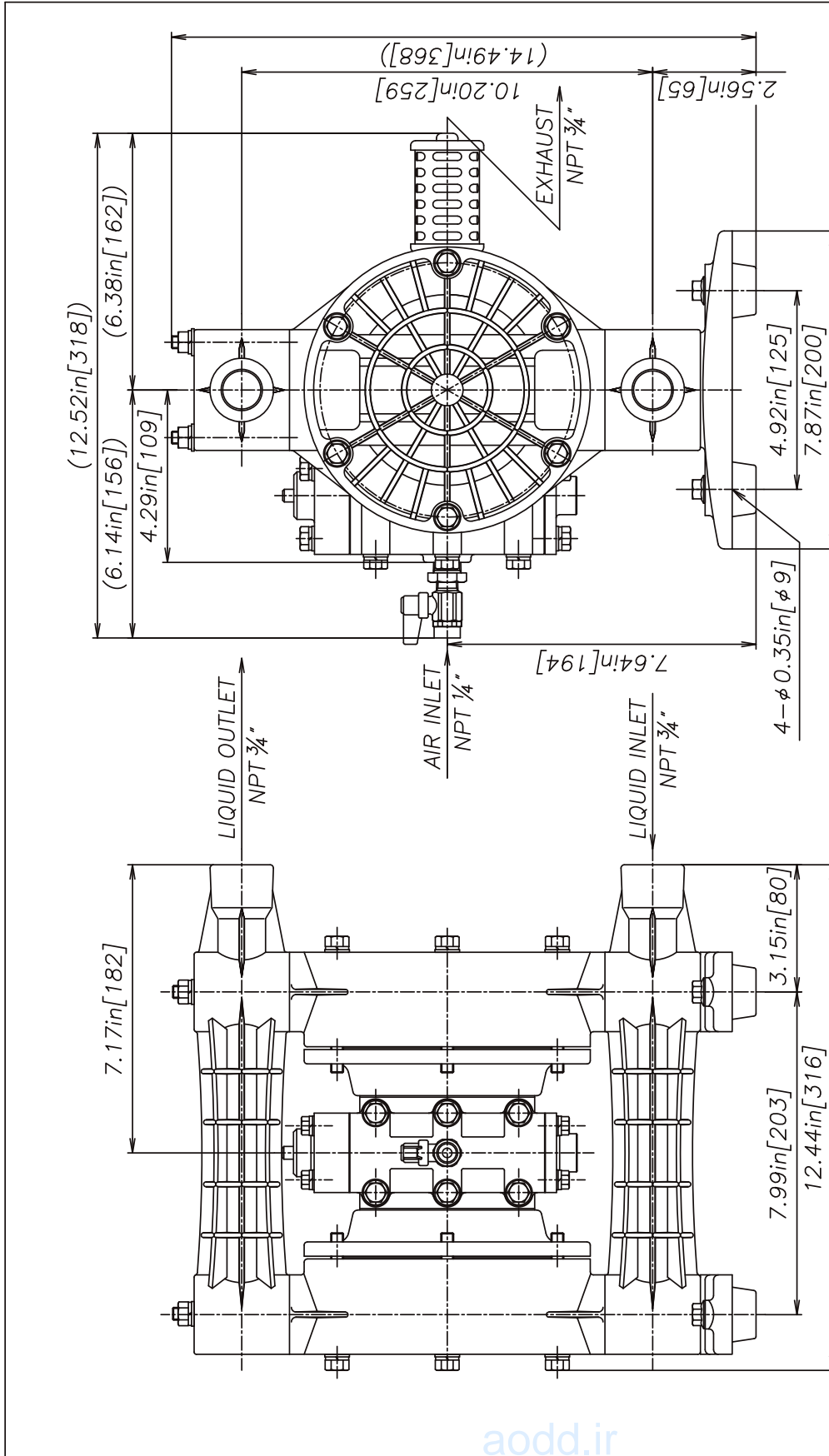
THE DWG.OF: **DIAPHRAGM PUMP ASSEMBLY**

YAMADA AMERICA, INC.
 1200 NUCLEAR DRIVE - WEST CHICAGO, ILLINOIS 60185
 TOLL FREE 800-990-7867 OR 630-231-4083
 THIS IS A CAD DRAWING AND MUST NOT BE ALTERED MANUALLY.

SCALE 1 : 1 DRAWN BY YJI
 DATE 02/02/06 APPROVED BY S.K.
 THIRD ANG.PROJ. DRAWING NUMBER: NDP-20BS
 REV 0



Yamada America, Inc. 955 E. Algonquin Road, Arlington Heights, IL 60005
 USA Toll-Free: 800 990-7867 Phone: 847 631-9200 Fax: 847 631-9273
 E-mail: sales@yamadapump.com Web: yamadapump.com



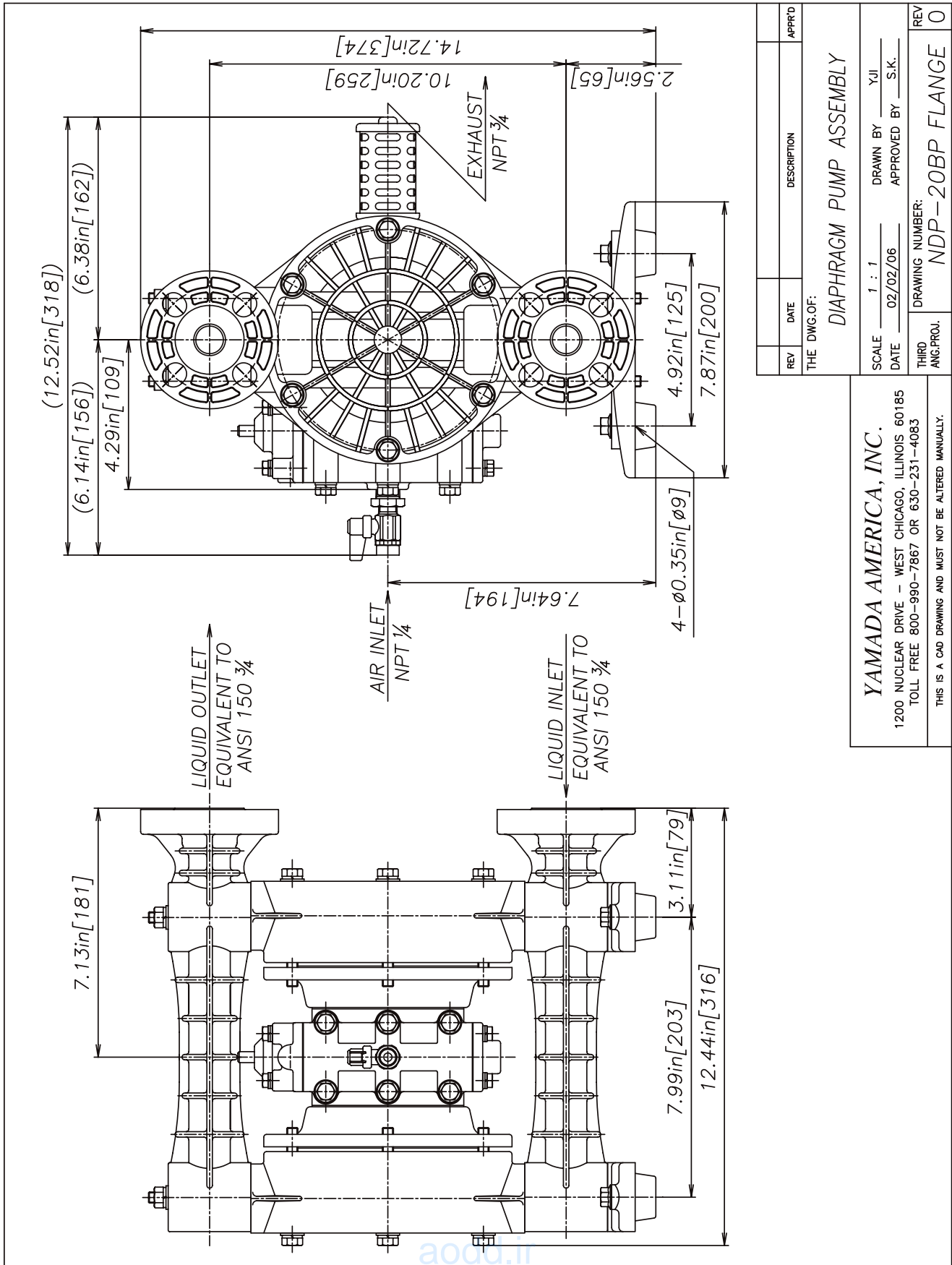
aodd.ir

REV	DATE	DESCRIPTION	APPR'D
		DIAPHRAGM PUMP ASSEMBLY	

THE DWG.OF:

SCALE 1 : 1 DRAWN BY YJI
DATE 02/02/06 APPROVED BY S.K.
THIRD ANG.PROJ. DRAWING NUMBER: NDP-20BP NPT
REV 0

YAMADA AMERICA, INC.
1200 NUCLEAR DRIVE - WEST CHICAGO, ILLINOIS 60185
TOLL FREE 800-990-7867 OR 630-231-4083
THIS IS A CAD DRAWING AND MUST NOT BE ALTERED MANUALLY.



AutoCAD® is a registered trademark of Autodesk, Inc.

Hytrel® is a registered trademark of E.I. du Pont de Nemours and Company.

Kynar® is a registered trademark of Arkema.

Nordel™ is a trademark of DuPont Dow Elastomers.

Ryton® is a registered trademark of Chevron Phillips Chemical Company.

Santoprene® is a registered trademark of Advanced Elastomer Systems.

Swagelok® & VCR® are trademarks of the Swagelok Companies.

Viton® is a registered trademark of DuPont Performance Elastomers.

Due to Yamada's continued commitment to product improvement, specifications may change without notice.

aodd.ir



Yamada America, Inc. 955 E. Algonquin Road, Arlington Heights, IL 60005
USA Toll-Free: 800 990-7867 Phone: 847 631-9200 Fax: 847 631-9273
E-mail: sales@yamadapump.com Web: yamadapump.com