

NDP-40 Specifications

Port Dimensions (107 GPM Max.)

Intake & discharge connection:

Polypropylene (PPG)	1-1/2" ANSI B16.5 #150
Kynar® (PVDF)	1-1/2" ANSI B16.5 #150
Aluminum (ADC-12)	1-1/2" ANSI B16.5 #150 (with tapped 1-1/2" Female NPT)
Stainless Steel (316)	1-1/2" ANSI B16.5 #150 or 1-1/2" Female NPT
Cast Iron	1-1/2" Female NPT
Air inlet (incl. ball valve):	1/2" Female NPT
Air exhaust (incl. silencer):	1" Female NPT

Maximum Liquid Temperature*

Diaphragm Material	Temperature
Buna N	180°F (82°C)
Neoprene	180°F (82°C)
Santoprene® (TPO)	180°F (82°C)
EPDM	212°F (100°C)
PTFE	212°F (100°C)
Hytrel® (TPEE)	248°F (120°C)
Viton® fluoroelastomer	248°F (120°C)

*The maximum liquid temperature for metal and Kynar®-fitted pumps is determined by the elastomer (diaphragm material). Polypropylene pumps have a maximum liquid temperature of 180°F (82°C) regardless of diaphragm material.

Air Supply Pressure (All Models)

20–100 PSI (1.4–7 kfg/cm)

Discharge Volume Per Cycle

Rubber diaphragm: 0.73 gallons (2.74 liters)
PTFE diaphragm: 0.37 gallons (1.40 liters)

Maximum Cycles Per Minute

Rubber diaphragm: 148
PTFE diaphragm: 270

Maximum Size Solid

9/32" (7 mm)

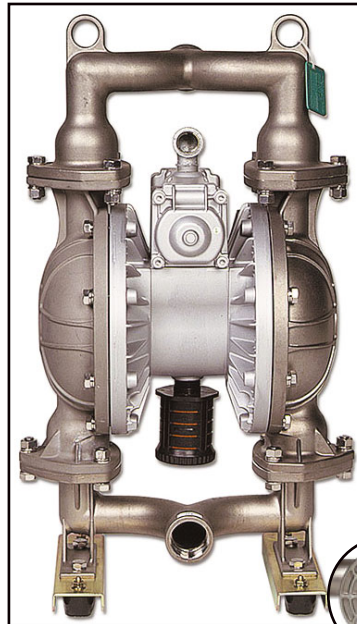
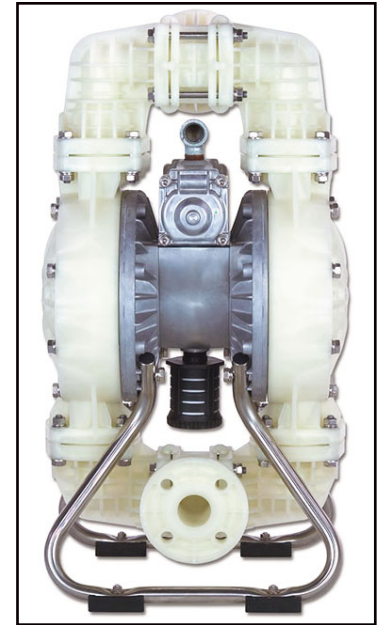
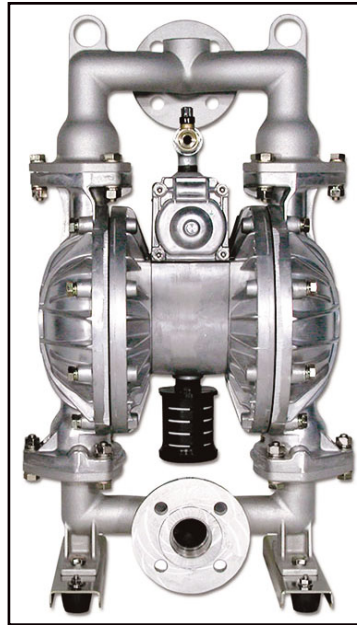
Maximum Dry Suction Lift

Rubber-fitted pump capability: 18-feet

Air Motor

Aluminum Air Motor–Standard
Optional coating: PTFE grey coated (XP)

Notes: Hytrel® fitted pumps include Buna N wetted o-rings. Santoprene® fitted pumps include EPDM wetted o-rings. Kynar® (PVDF) pumps fitted with Santoprene®, Hytrel®, or PTFE include PTFE check balls and o-rings.



Aluminum (top left)

Dimensions: 16.18" W × 27.91" H
Net Wt.: 68 lbs. (28.9 kg)
Shipping Wt.: 75 lbs.

Polypropylene or Kynar® (top right)

Dimensions: 15.75" W × 29.61" H
Net Wt.: 70 lbs. (29.9 kg)
Shipping Wt.: 78 lbs.

Cast Iron or Stainless Steel (left)

Dimensions: 16.18" W × 27.75" H
Net Wt.: C. Iron: 112 lbs. (59.8 kg)
SS: 98 lbs. (39.9 kg)
Ship Wt.: C. Iron: 120 lbs.
SS: 106 lbs.

Note: ANSI Flange available for Stainless Steel

Model Number Nomenclature

Series: NDP-40 B x x
NDP-40 Pump

Valve Type:
B = Ball

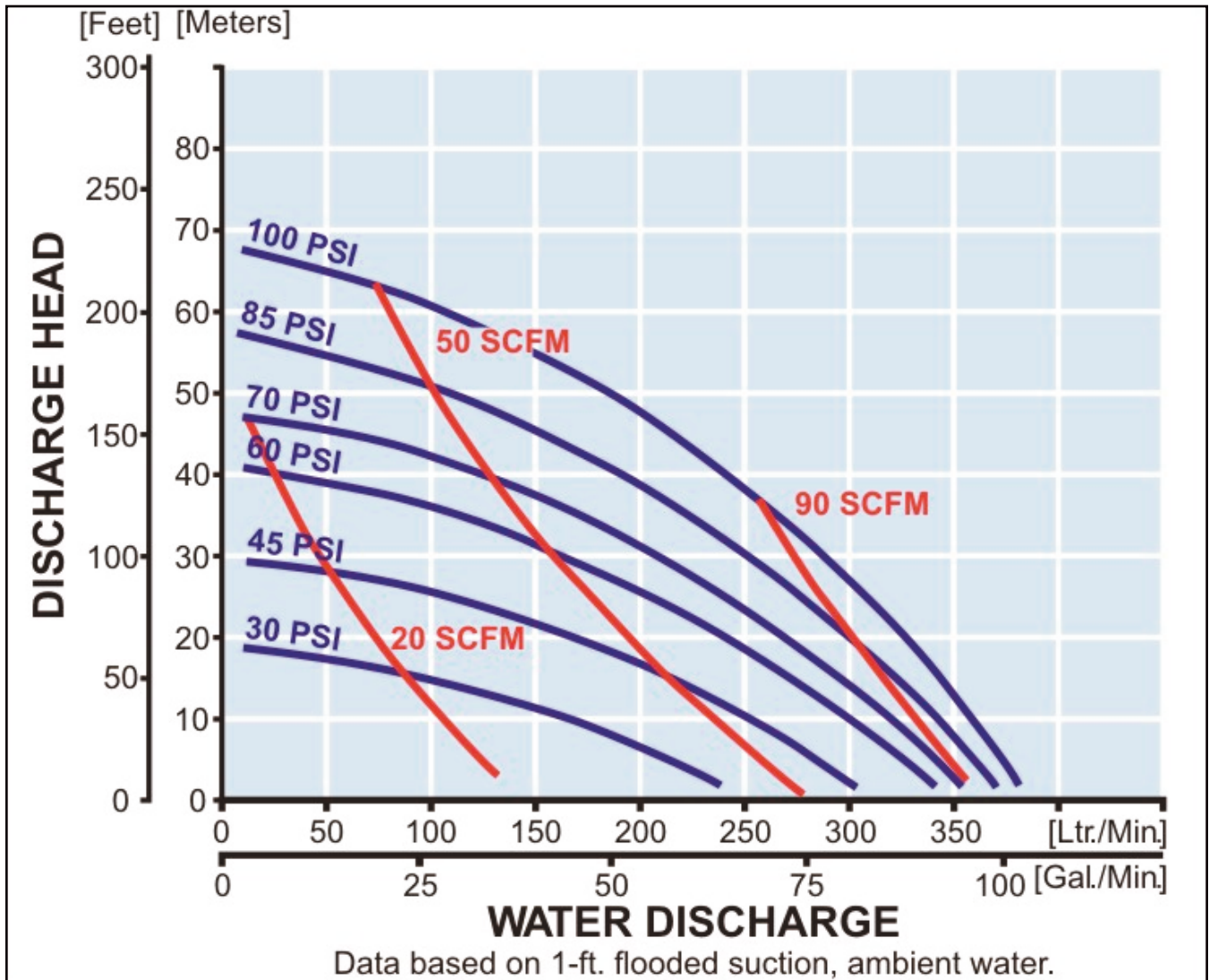
Body Material:
P = Polypropylene
V = Kynar®
A = Aluminum
S = Stainless Steel
F = Cast Iron

Diaphragm Material:
C = Neoprene (CR)
N = Buna N (NBR)
E = Nordel™ (EPDM)
S = Santoprene® (TPO)
T = PTFE
V = Viton® (FKM)
H = Hytrel® (TPE)

Note: For NPT-fitted Stainless Steel, add "NPT" at end of model number nomenclature.

NDP-40 Performance Curve – Rubber

Rubber Diaphragm Performance Curve

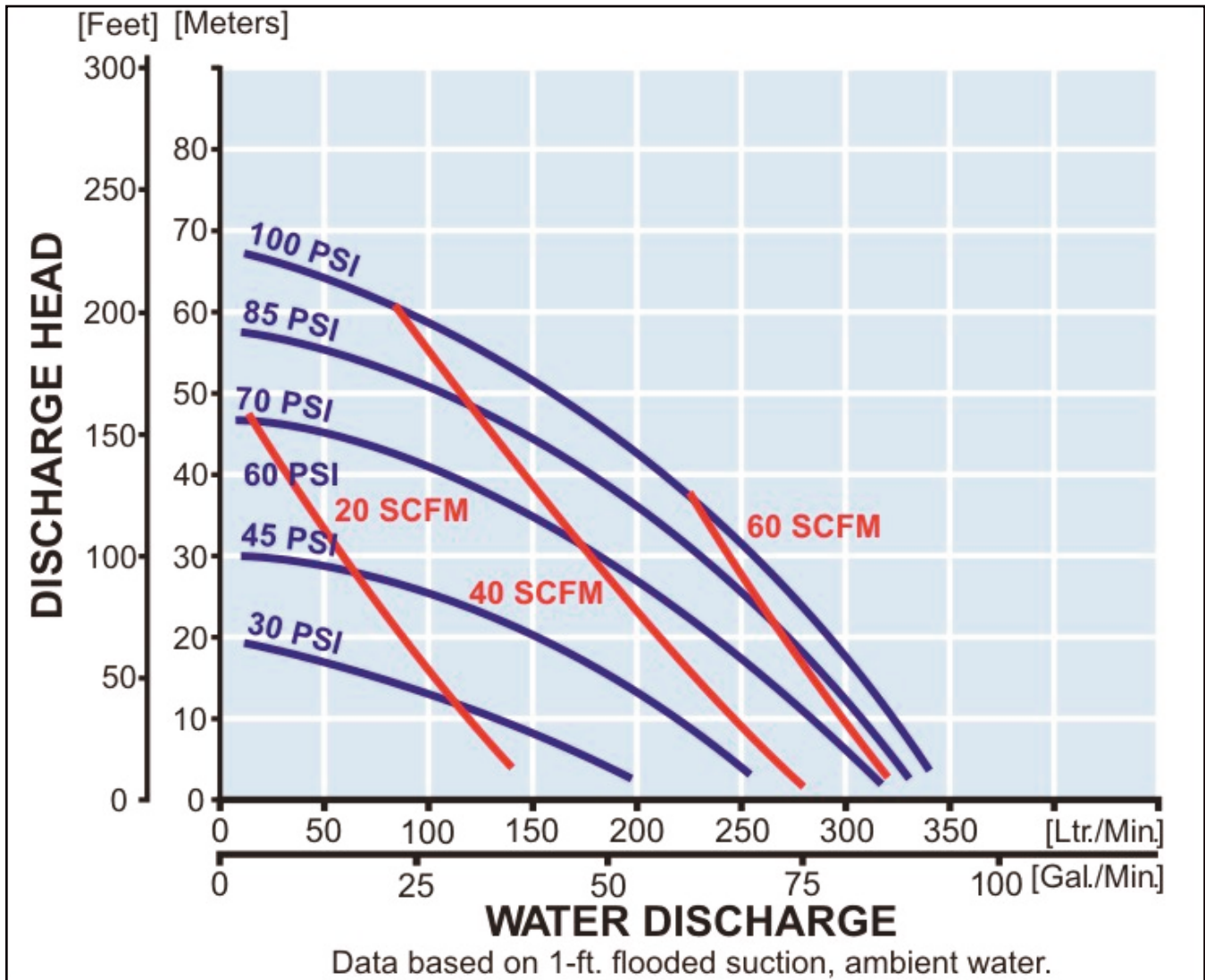


To calculate performance for Santoprene and Hytrel-fitted pumps, use Rubber Diaphragm Curve.

aodd.ir

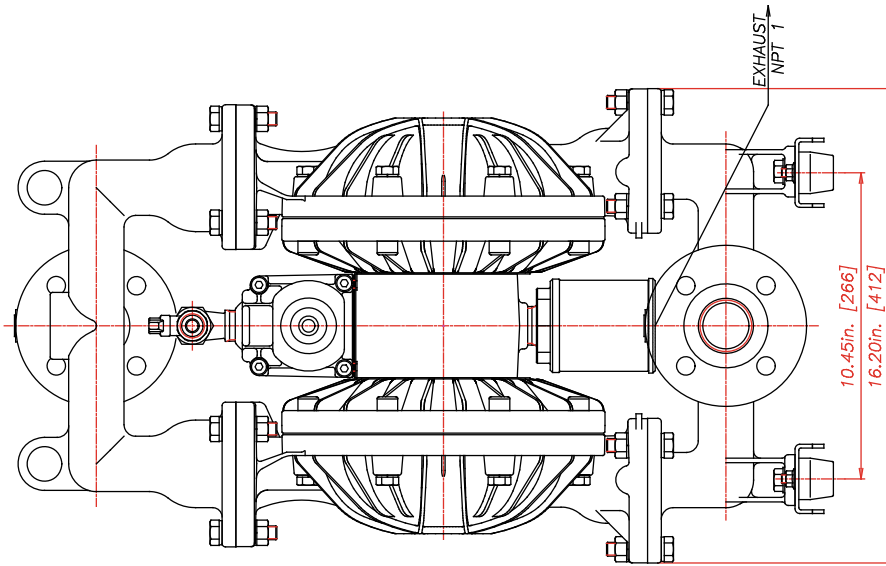
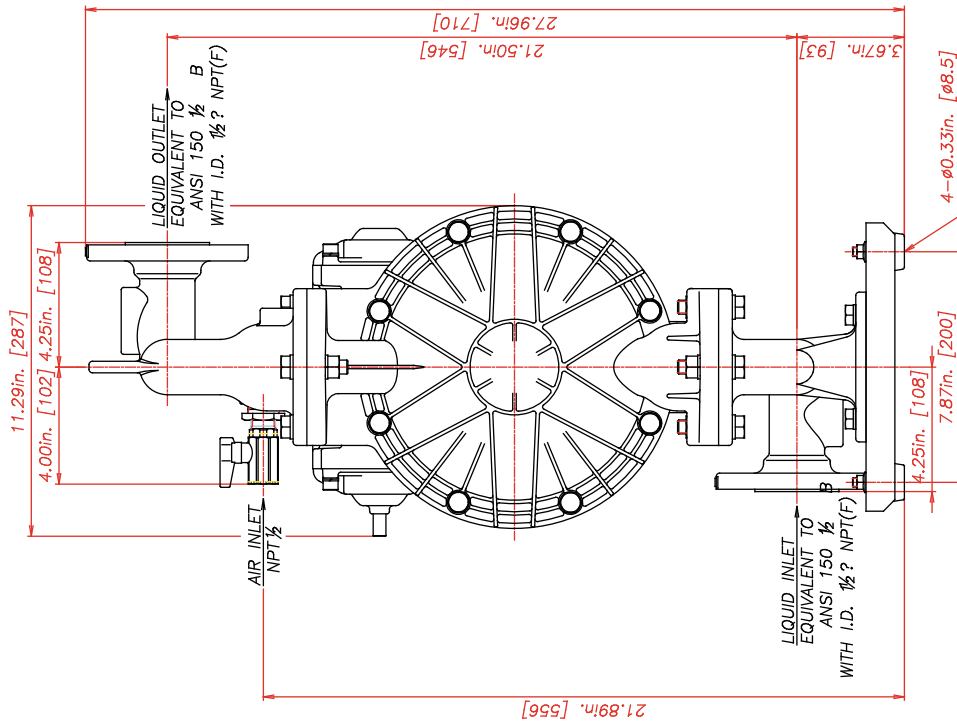
NDP-40 Performance Curve – PTFE

PTFE Diaphragm Performance Curve



To calculate performance for Santoprene and Hytrel-fitted pumps, use Rubber Diaphragm Curve.

aodd.ir



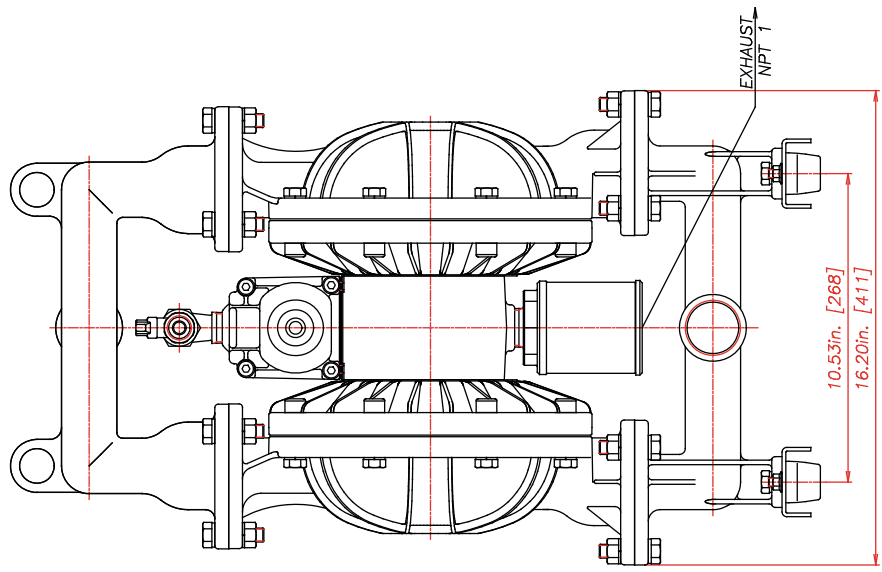
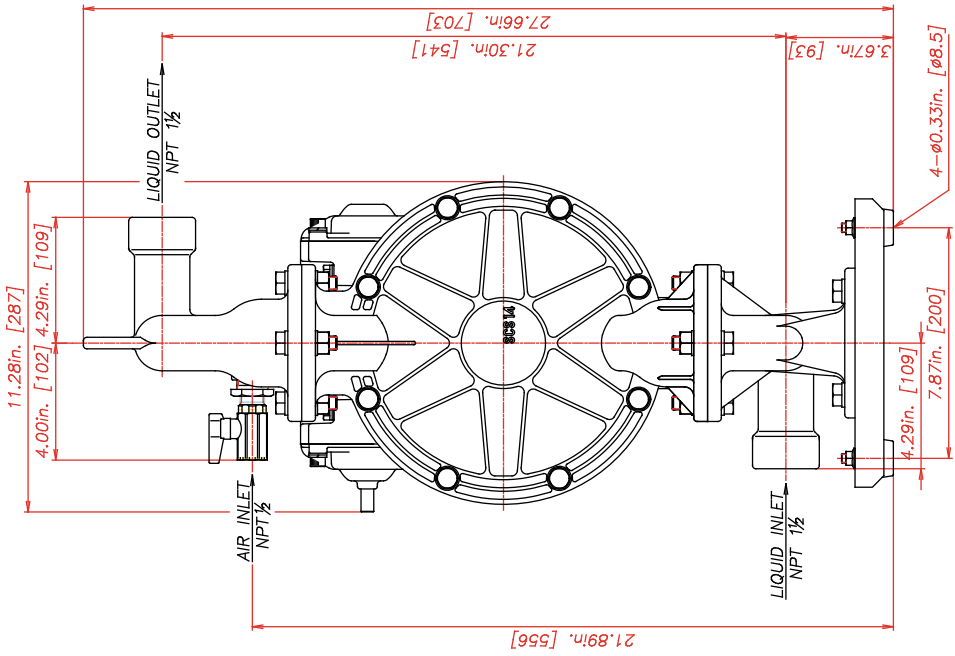
aodd.ir

REV	DATE	DESCRIPTION	APPR'D
THE DWG. OF:			
DIAPHRAGM PUMP ASSEMBLY			
SCALE	1 : 1	DRAWN BY	Y JI
DATE	01/09/12	APPROVED BY	S.K.
THIRD ANGRPLJ.	DRAWING NUMBER:		NDP-40BA
REV			1

YAMADA AMERICA, INC.

955 EAST ALGONQUIN ROAD - ARLINGTON HEIGHTS, ILLINOIS 60005
TOLL FREE 800-990-7867 OR 630-231-4083

THIS IS A CAD DRAWING AND MUST NOT BE ALTERED MANUALLY.



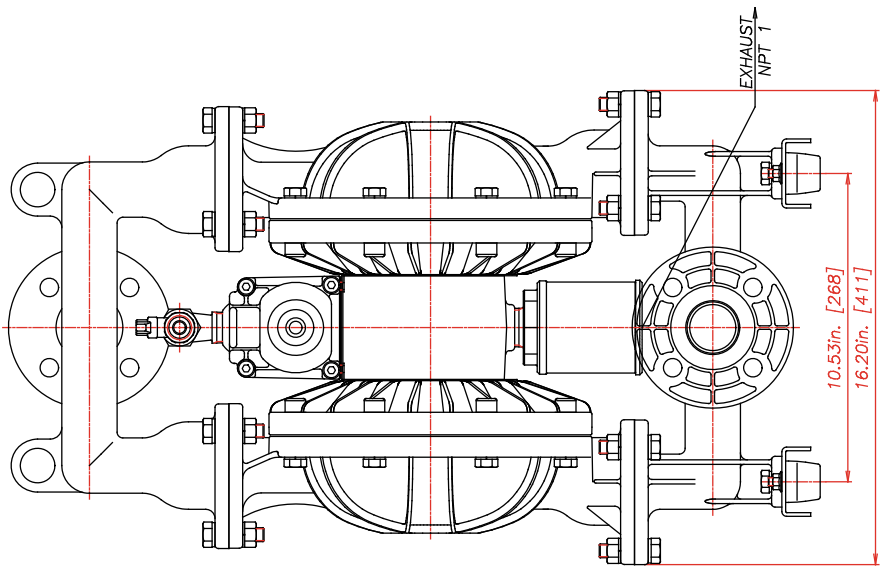
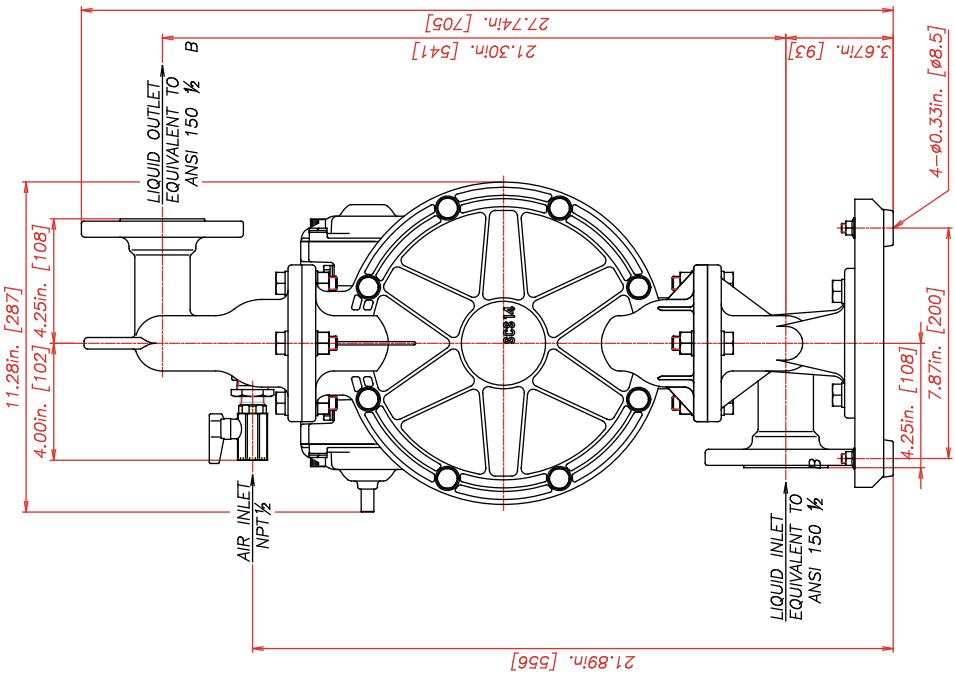
aodd.ir

REV	DATE	DESCRIPTION	APPR'D
THE DWG. OF:			
DIAPHRAGM PUMP ASSEMBLY			
SCALE 1 : 1		DRAWN BY YJI	
DATE 01/09/12		APPROVED BY S.K.	
THIRD ANGRPLJ	DRAWING NUMBER: NDP-40BS NPT		REV 1

YAMADA AMERICA, INC.
 955 EAST ALGONQUIN ROAD - ARLINGTON HEIGHTS, ILLINOIS 60005
 TOLL FREE 800-990-7867 OR 630-251-4083
 THIS IS A CAD DRAWING AND MUST NOT BE ALTERED MANUALLY.



Yamada America, Inc. 955 E. Algonquin Road, Arlington Heights, IL 60005
 USA Toll-Free: 800 990-7867 Phone: 847 631-9200 Fax: 847 631-9273
 E-mail: sales@yamadapump.com Web: yamadapump.com



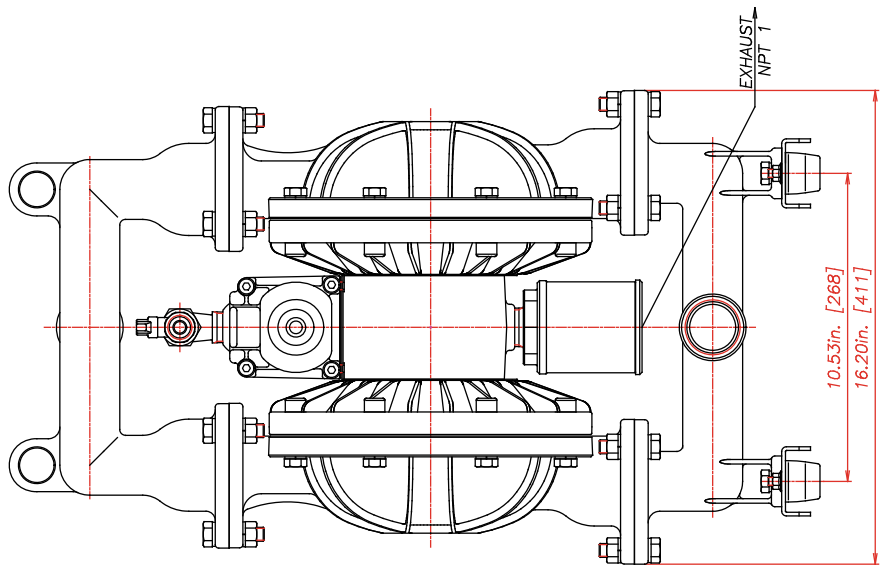
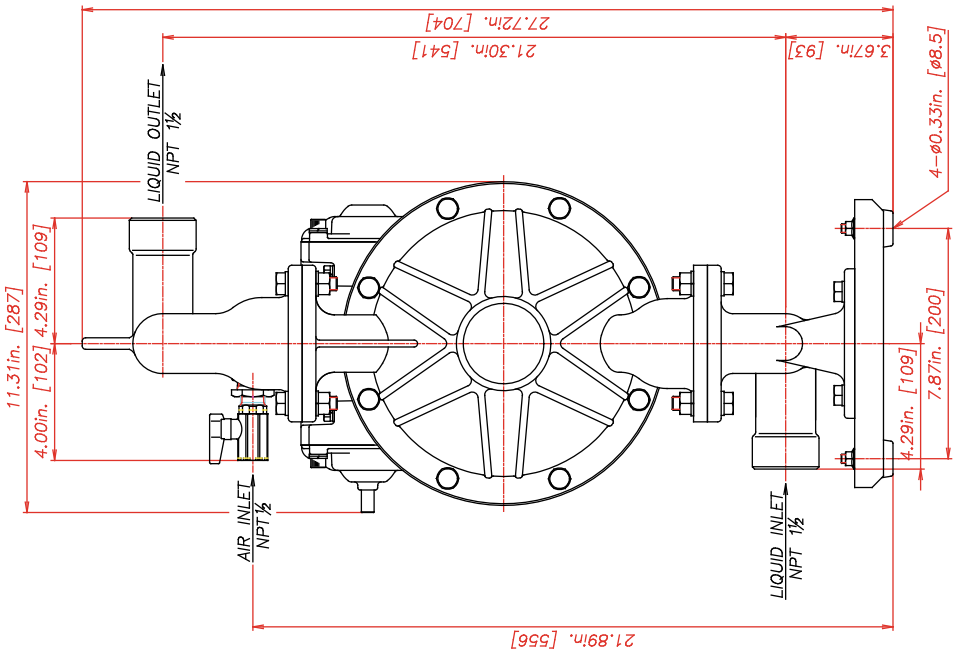
aodd.ir

REV	DATE	DESCRIPTION	APPR'D
THE DWG. OF: DIAPHRAGM PUMP ASSEMBLY			
SCALE	1 : 1	DRAWN BY	Y JI
DATE	01/09/12	APPROVED BY	S.K.
THIRD ANGLE PROJ.	DRAWING NUMBER: NDP-40BS FLANGE		
REV	1		

YAMADA AMERICA, INC.
 955 EAST ALGONQUIN ROAD - ARLINGTON HEIGHTS, ILLINOIS 60005
 TOLL FREE 800-990-7867 OR 630-251-4083
 THIS IS A CAD DRAWING AND MUST NOT BE ALTERED MANUALLY.



Yamada America, Inc. 955 E. Algonquin Road, Arlington Heights, IL 60005
 USA Toll-Free: 800 990-7867 Phone: 847 631-9200 Fax: 847 631-9273
 E-mail: sales@yamadapump.com Web: yamadapump.com



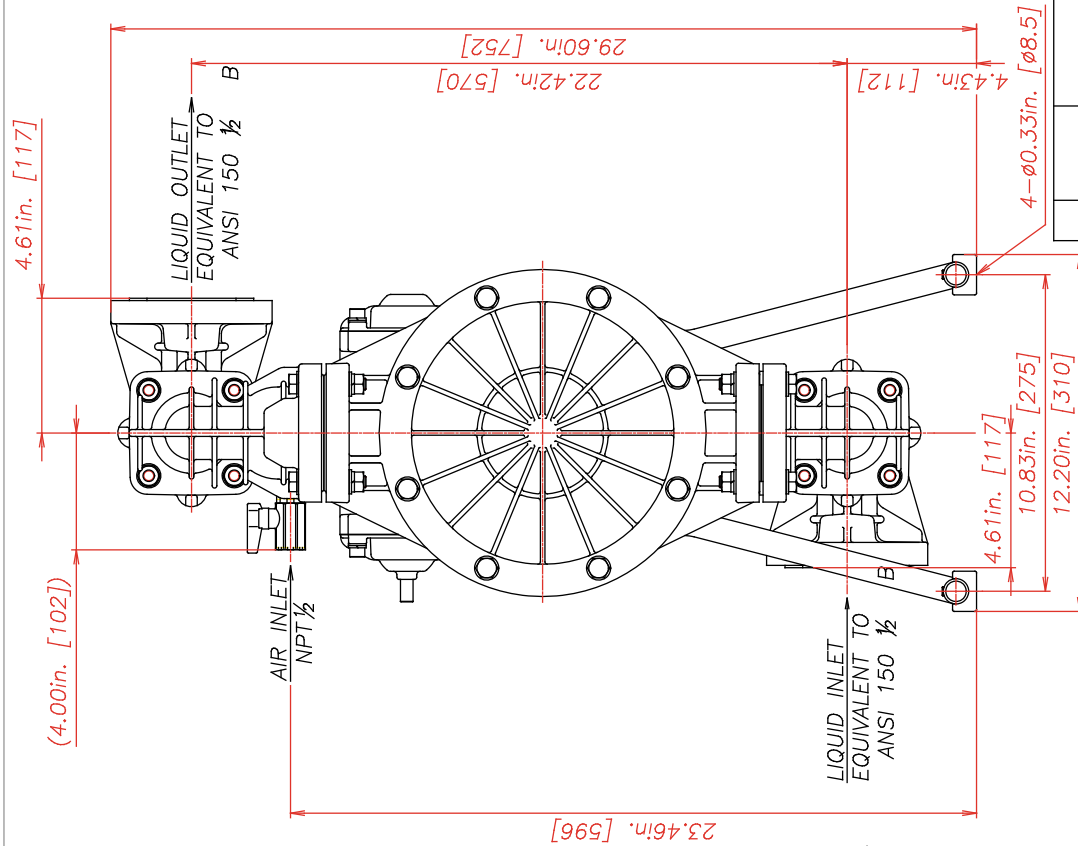
aodd.ir

REV	DATE	DESCRIPTION	APPR'D
THE DWG. OF:			
DIAPHRAGM PUMP ASSEMBLY			
SCALE	1 : 1	DRAWN BY	Y JI
DATE	01/09/12	APPROVED BY	S.K.
THIRD ANGR'D	DRAWING NUMBER: NDP-40BF		
REV	1		

YAMADA AMERICA, INC.
 955 EAST ALGONQUIN ROAD - ARLINGTON HEIGHTS, ILLINOIS 60005
 TOLL FREE 800-990-7867 OR 630-231-4083
 THIS IS A CAD DRAWING AND MUST NOT BE ALTERED MANUALLY.

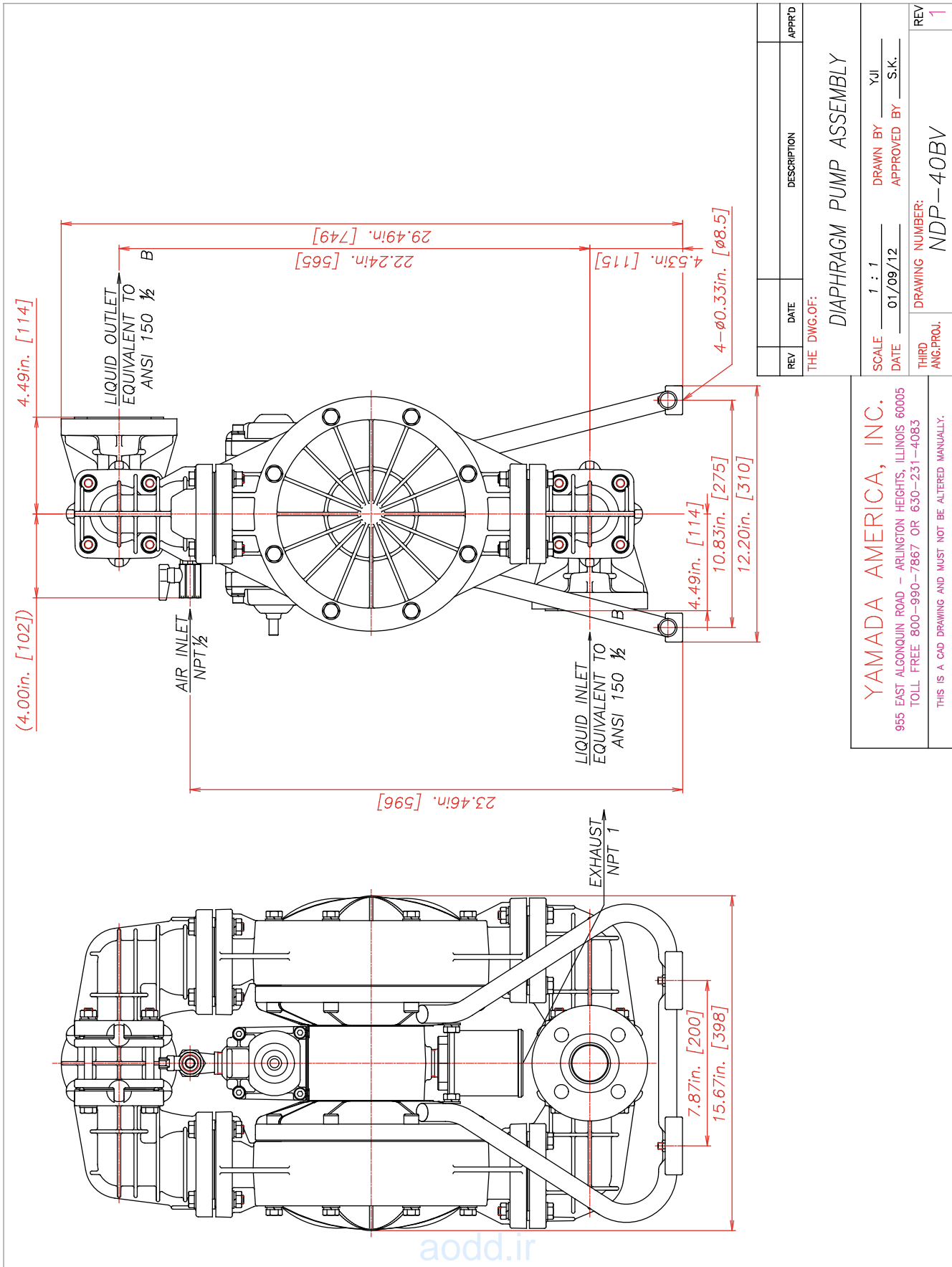


Yamada America, Inc. 955 E. Algonquin Road, Arlington Heights, IL 60005
 USA Toll-Free: 800 990-7867 Phone: 847 631-9200 Fax: 847 631-9273
 E-mail: sales@yamadapump.com Web: yamadapump.com



REV	DATE	DESCRIPTION	APPR'D
THE DWG. OF: DIAPHRAGM PUMP ASSEMBLY			
SCALE: 1 : 1		DRAWN BY: YJI	
DATE: 01/09/12		APPROVED BY: S.K.	
THIRD ANG. PROJ.		DRAWING NUMBER: NDP-40BP	
REV			1

YAMADA AMERICA, INC.
 955 EAST ALGONQUIN ROAD - ARLINGTON HEIGHTS, ILLINOIS 60005
 TOLL FREE 800-990-7867 OR 630-231-4083
 THIS IS A CAD DRAWING AND MUST NOT BE ALTERED MANUALLY.



REV	DATE	DESCRIPTION	APPR'D
THE DWG. OF: DIAPHRAGM PUMP ASSEMBLY			
SCALE 1 : 1		DRAWN BY YJI	
DATE 01/09/12		APPROVED BY S.K.	
THIRD ANG. PROJ.	DRAWING NUMBER: NDP-40BV		REV 1

YAMADA AMERICA, INC.
 955 EAST ALGONQUIN ROAD - ARLINGTON HEIGHTS, ILLINOIS 60005
 TOLL FREE 800-990-7867 OR 630-251-4083
 THIS IS A CAD DRAWING AND MUST NOT BE ALTERED MANUALLY.

AutoCAD® is a registered trademark of Autodesk, Inc.

Hytrel® is a registered trademark of E.I. du Pont de Nemours and Company.

Kynar® is a registered trademark of Arkema.

Nordel™ is a trademark of DuPont Dow Elastomers.

Ryton® is a registered trademark of Chevron Phillips Chemical Company.

Santoprene® is a registered trademark of Advanced Elastomer Systems.

Swagelok® & VCR® are trademarks of the Swagelok Companies.

Viton® is a registered trademark of DuPont Performance Elastomers.

Due to Yamada's continued commitment to product improvement, specifications may change without notice.

aodd.ir



Yamada America, Inc. 955 E. Algonquin Road, Arlington Heights, IL 60005
USA Toll-Free: 800 990-7867 Phone: 847 631-9200 Fax: 847 631-9273
E-mail: sales@yamadapump.com Web: yamadapump.com