

# NDP-50FAN Specifications



## SolidPRO® Flapper

### Port Dimensions (158.5 GPM Max.)

#### Intake & discharge connection:

Aluminum (ADC-12) 2" ANSI B16.5 #150  
(with tapped 2" Female NPT)

Air inlet (incl. ball valve): 3/4" Female NPT

Air exhaust (incl. silencer): 1" Female NPT

### Maximum Liquid Temperature\*

Diaphragm Material Temperature

Buna N 180°F (82°C)

Santoprene® (TPO) 180°F (82°C)

\*The maximum liquid temperature for metal pumps is determined by the elastomer (diaphragm material).

### Air Supply Pressure (All Models)

30–100 PSI (2~7 kgf/cm<sup>2</sup>)

### Discharge Volume Per Cycle

Rubber diaphragm: 0.63 gallons

### Maximum Cycles Per Minute

Rubber diaphragm: 251

### Maximum Size Solid

2"

### Maximum Dry Suction Lift

Rubber fitted pump capability: 24'

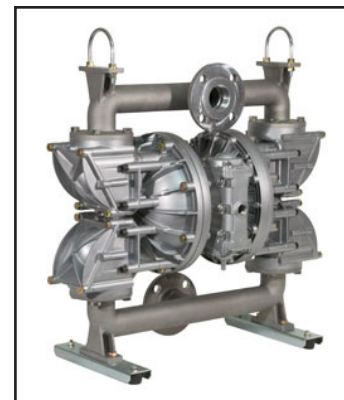
### Air Motor

Aluminum air motor standard.

### Valve Type

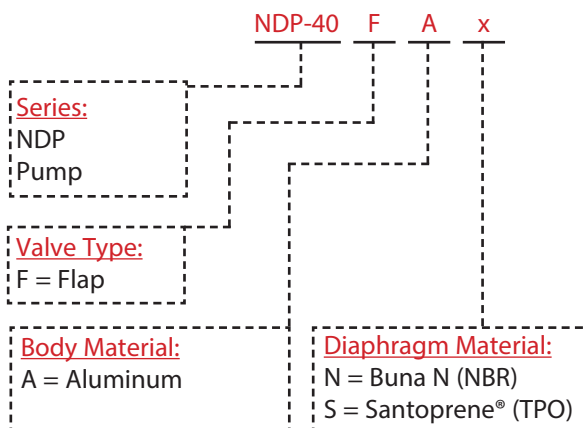
Flap Valve

Notes: Santoprene® fitted pumps include EPDM wetted o-rings & TPO flap valves.



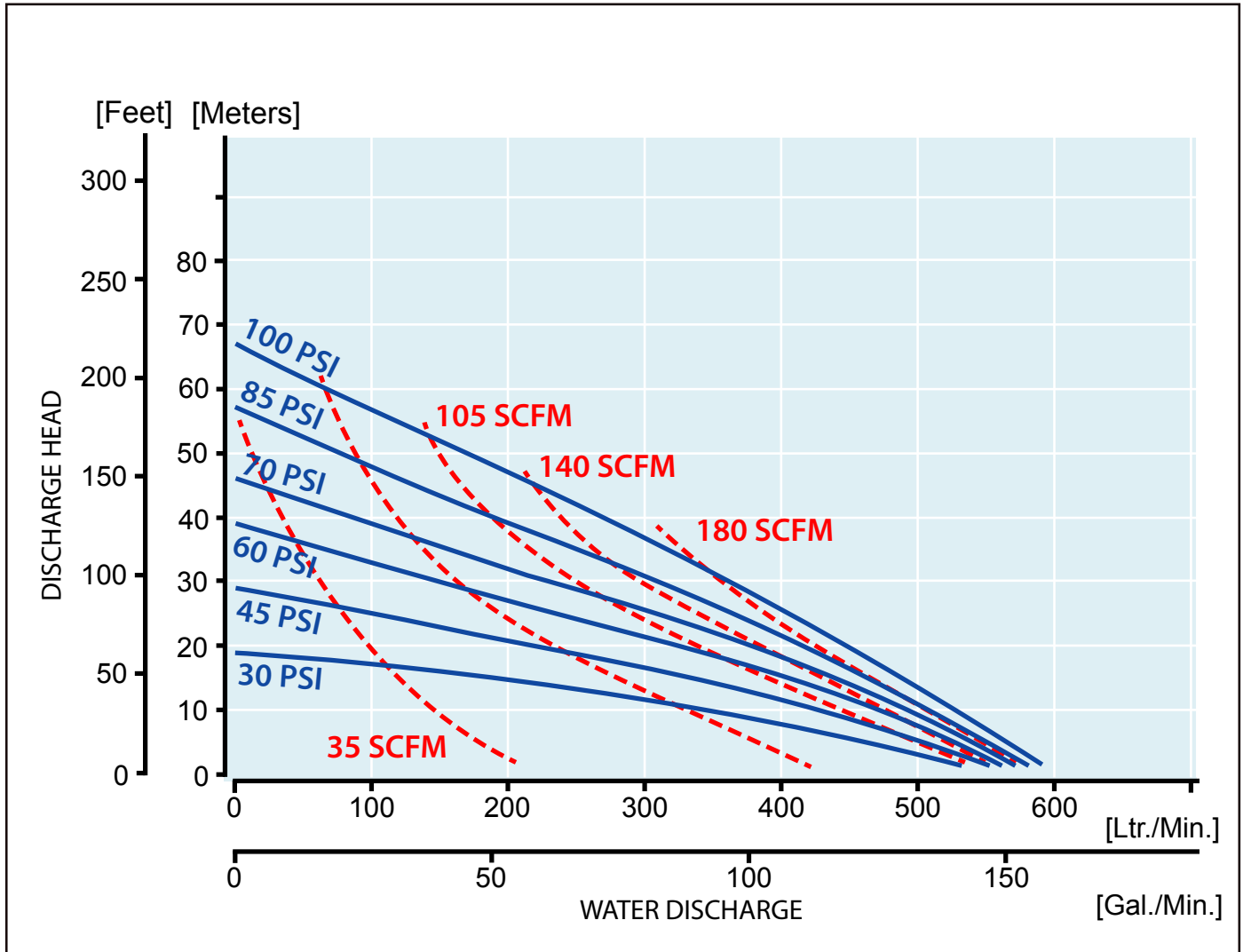
**Aluminum**  
**Dimensions:** 27.91"W x 32.59"H  
**Net Wt.:** 115 lbs. (52 kg)  
**Shipping Wt.:** 130 lbs.

### Model Number Nomenclature

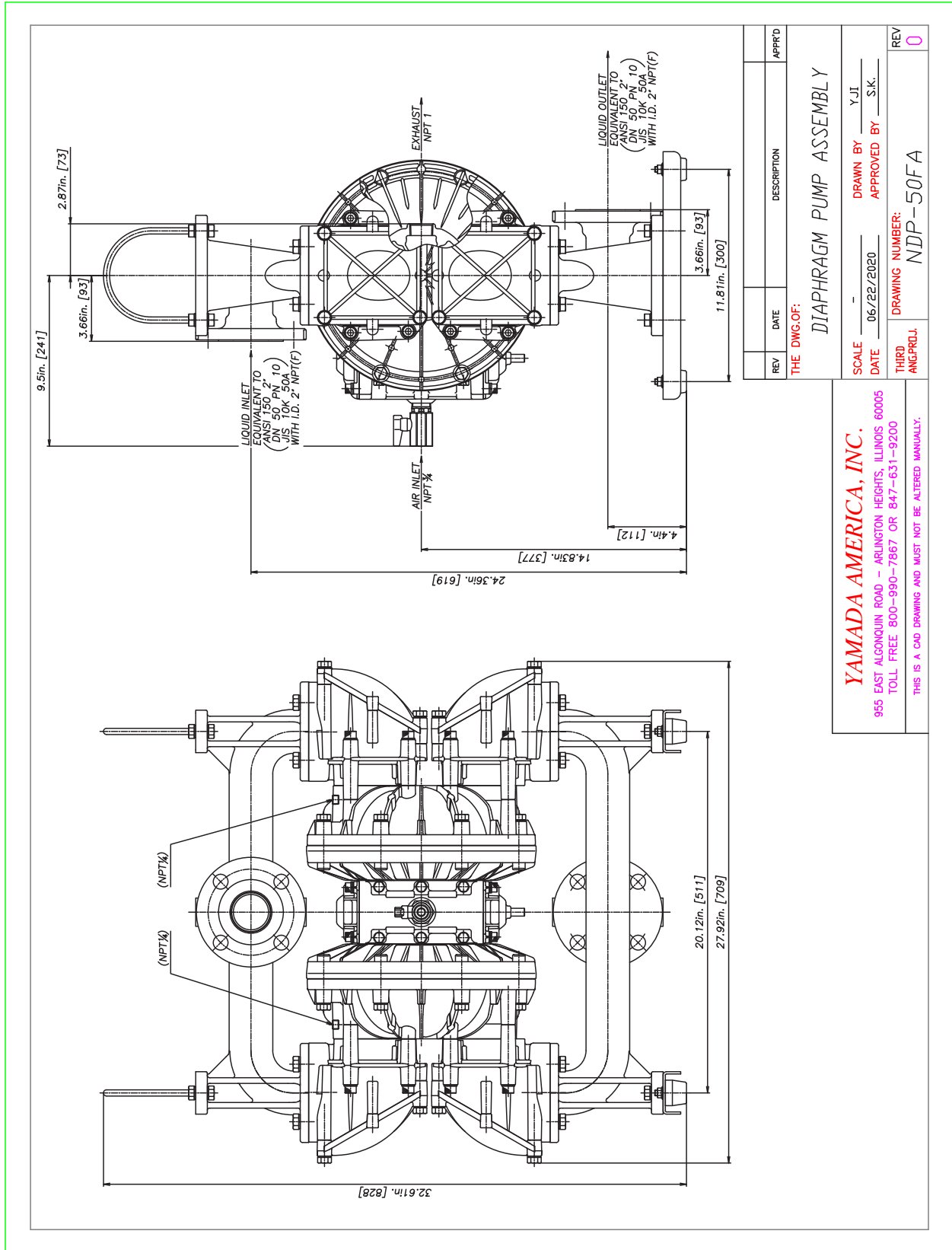


# NDP-50 Flapper Performance Curve

## SolidPRO Rubber Diaphragm Performance Curve (Aluminum)



[aodd.ir](http://aodd.ir)



**YAMADA AMERICA, INC.**  
 955 EAST ALGONQUIN ROAD - ARLINGTON HEIGHTS, ILLINOIS 60005  
 TOLL FREE 800-990-7867 OR 847-631-9200  
 THIS IS A CAD DRAWING AND MUST NOT BE ALTERED MANUALLY.

**AutoCAD**® is a registered trademark of Autodesk, Inc.

**Hytrell**® is a registered trademark of E.I. du Pont de Nemours and Company.

**Kynar**® is a registered trademark of Arkema.

**Nordel**™ is a trademark of DuPont Dow Elastomers.

**Ryton**® is a registered trademark of Chevron Phillips Chemical Company.

**Santoprene**® is a registered trademark of Advanced Elastomer Systems.

**Viton**® is a registered trademark of DuPont Performance Elastomers.

**Swagelok**™ & **VCR**™ are trademarks of the Swagelok Companies.

**Flaretek**® is a registered trademark of Entegris.

**Garlock ONE-UP**® is a registered trademark of W.L. Gore & Associates.

**Yamada**® is a registered trademark of Yamada America, Inc.

**SolidPRO Designed to Pump Fluids Containing Solids**® is a registered trademark of Yamada America, Inc.

**Xtreme Duty Pro XDP**® is a registered trademark of Yamada America, Inc.

**The Proof's in the Pump**® is a registered trademark of Yamada America, Inc.

**The Proof is in the Pump**® is a registered trademark of Yamada America, Inc.

**Engineered to Perform. Designed to Outlast.**® is a registered trademark of Yamada America, Inc.

Due to Yamada's continued commitment to product improvement, specifications may change without notice.