

# NDP-50 Specifications

## Port Dimensions (164 GPM Max.)

### Intake & discharge connection:

Polypropylene (PPG)	2" ANSI B16.5 #150
Kynar® (PVDF)	2" ANSI B16.5 #150
Aluminum (ADC-12)	2" ANSI B16.5 #150 (with tapped 2" Female NPT)
Stainless Steel (316)	2" ANSI B16.5 #150 (with tapped 2" Female NPT)
Cast Iron	2" Female NPT
Air inlet (includes ball valve):	3/4" Female NPT
Air exhaust (includes silencer):	1" Female NPT

## Maximum Liquid Temperature\*

Diaphragm Material	Temperature
Buna N	158°F (70°C)
Neoprene	180°F (82°C)
Santoprene® (TPO)	212°F (100°C)
EPDM	212°F (100°C)
PTFE	212°F (100°C)
Hytrell® (TPEE)	248°F (120°C)
Viton® fluoroelastomer	248°F (120°C)

\*The maximum liquid temperature for metal and Kynar® fitted pumps is determined by the elastomer (diaphragm material). Polypropylene pumps have a maximum liquid temperature of 180°F (82°C) regardless of diaphragm material.

## Air Supply Pressure (All Models)

20–100 PSI (1.4–7 kgf/cm<sup>2</sup>)

## Discharge Volume Per Cycle

Rubber diaphragm: 1.12 gallons (4.25 liters)

PTFE diaphragm: 0.69 gallons (2.61 liters)

## Maximum Cycles Per Minute

Rubber diaphragm: 146

PTFE diaphragm: 220

## Maximum Size Solid 5/16" (8 mm)

## Maximum Dry Suction Lift

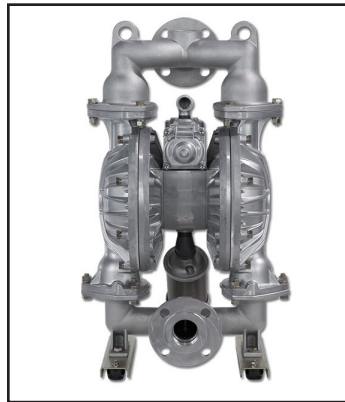
Rubber fitted pump capability: 19'

## Air Motor

Aluminum or Polypropylene (PP)

Optional coating: PTFE grey coated (XP)

Notes: Hytrell® fitted pumps include Buna N wetted o-rings. Santoprene® fitted pumps include EPDM wetted o-rings. Kynar® pumps fitted with Santoprene®, Hytrell® or PTFE include PTFE check balls and o-rings.

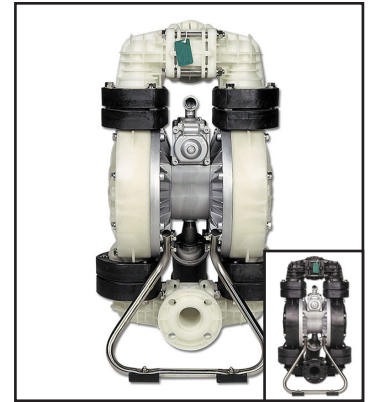


### Aluminum

**Dimensions:** 17.68"W x 30.67"H

**Net Wt.:** 88 lbs. (39.9 kg)

**Shipping Wt.:** 99 lbs.

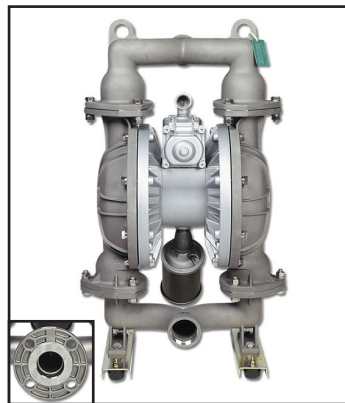


### Polypropylene or Kynar (metal center)

**Dimensions:** 18.63"W x 32.32"H

**Net Wt.:** 84 lbs. (38.1 kg)

**Shipping Wt.:** 108 lbs.



### Cast Iron or Stainless Steel

**Dimensions:** 17.72"W x 30.55"H

**Net Wt.:**

Cast Iron 159 lbs. (72.1 kg)

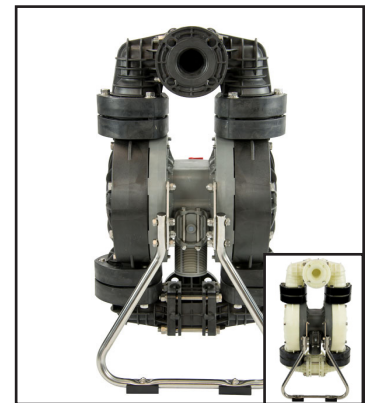
Stainless Steel 162 lbs. (73.5 kg)

**Shipping Wt.:**

Cast Iron 168 lbs.

Stainless Steel S 173 lbs.

Note: ANSI Flange available for Cast Iron and Stainless Steel



### Kynar or Polypropylene (plastic center)

**Dimensions:** 18.31"W x 32.30"H

**Net Wt.:**

Polypropylene 81.6 lbs. (37 kg)

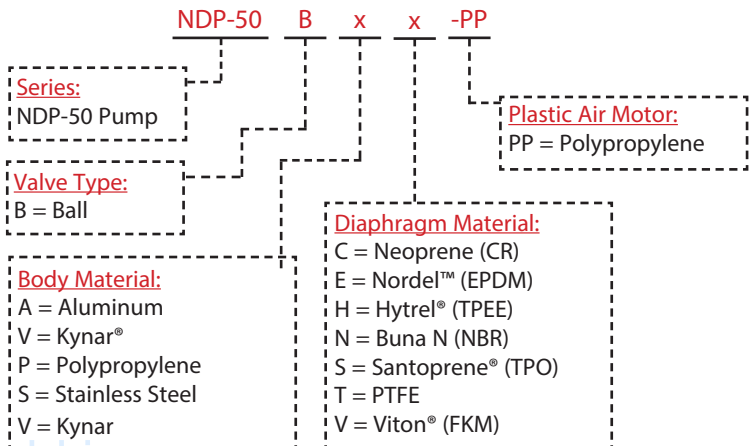
Kynar 94.8 lbs. (43 kg)

**Shipping Wt.:**

Polypropylene 91.6 lbs.

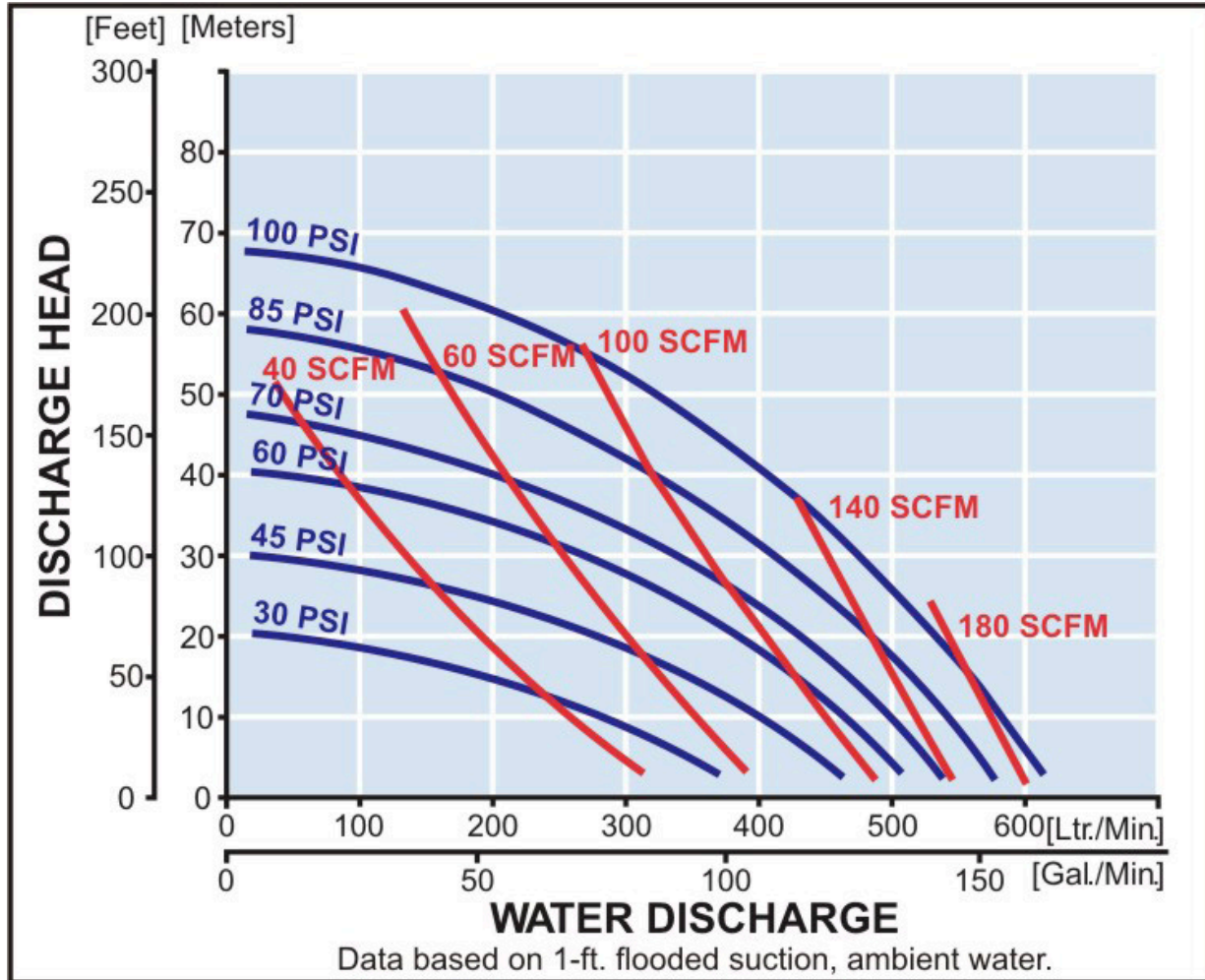
Kynar 104.8 lbs.

## Model Number Nomenclature



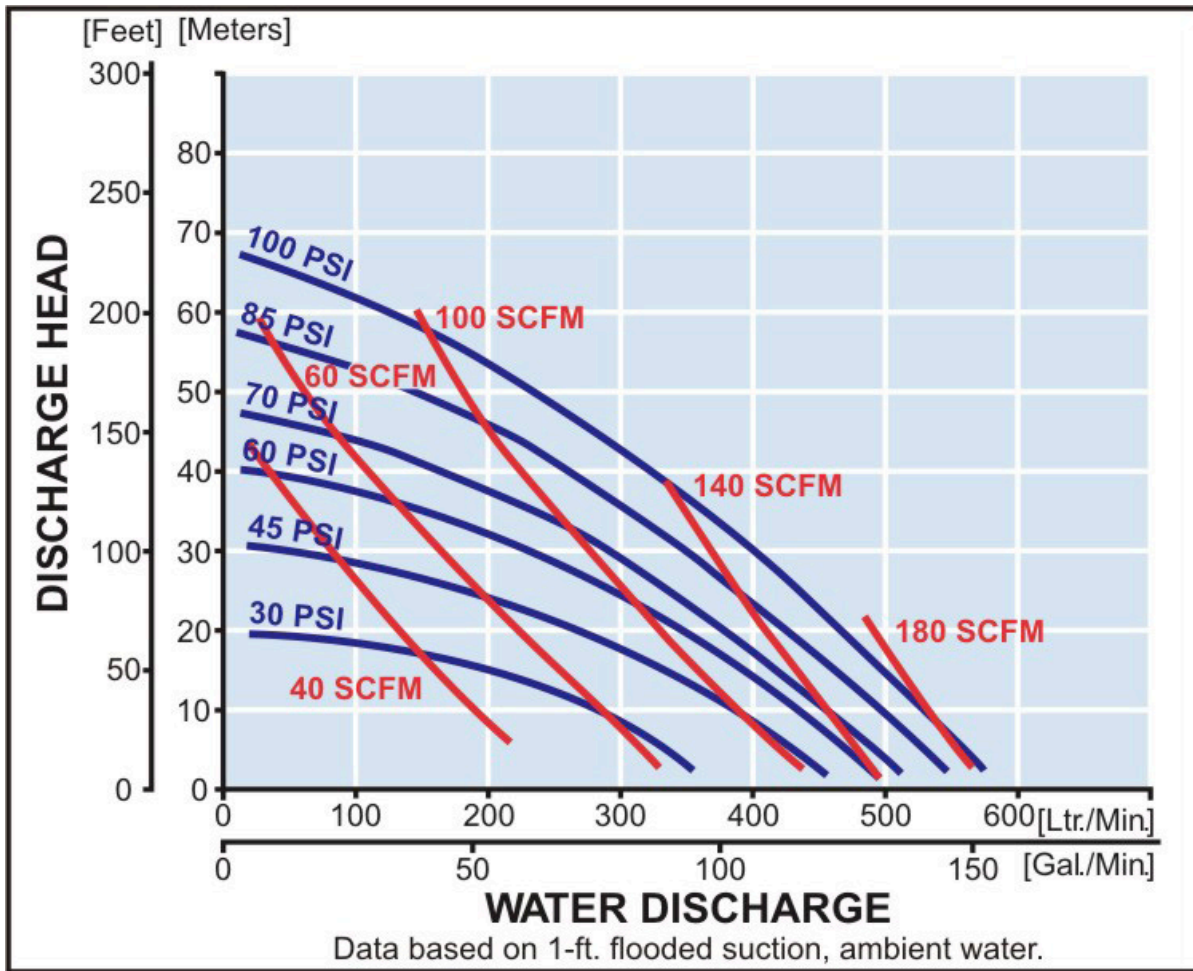
# NDP-50 Performance Curve

## Rubber Diaphragm Performance Curve

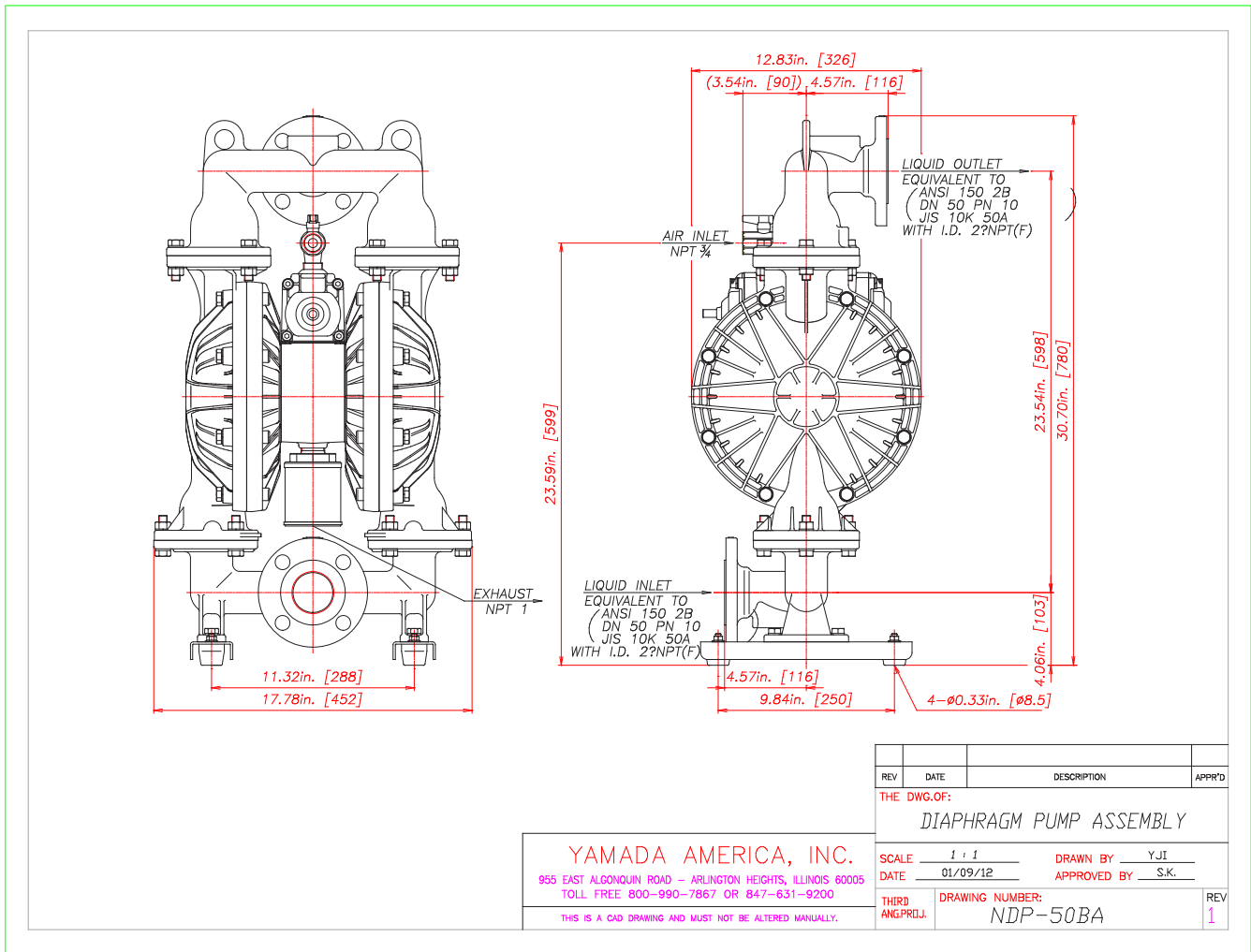


# NDP-50 Performance Curve

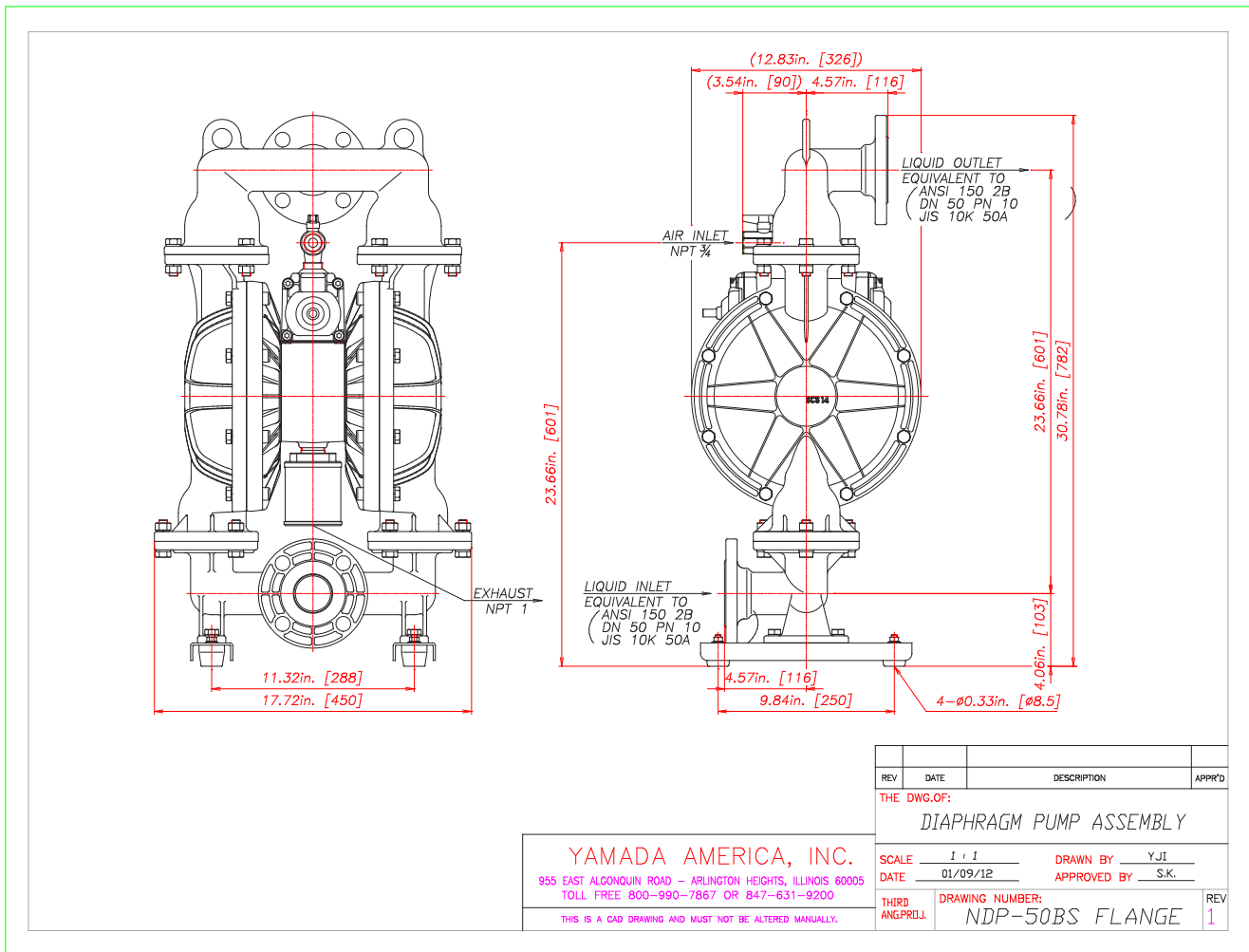
## PTFE Diaphragm Performance Curve



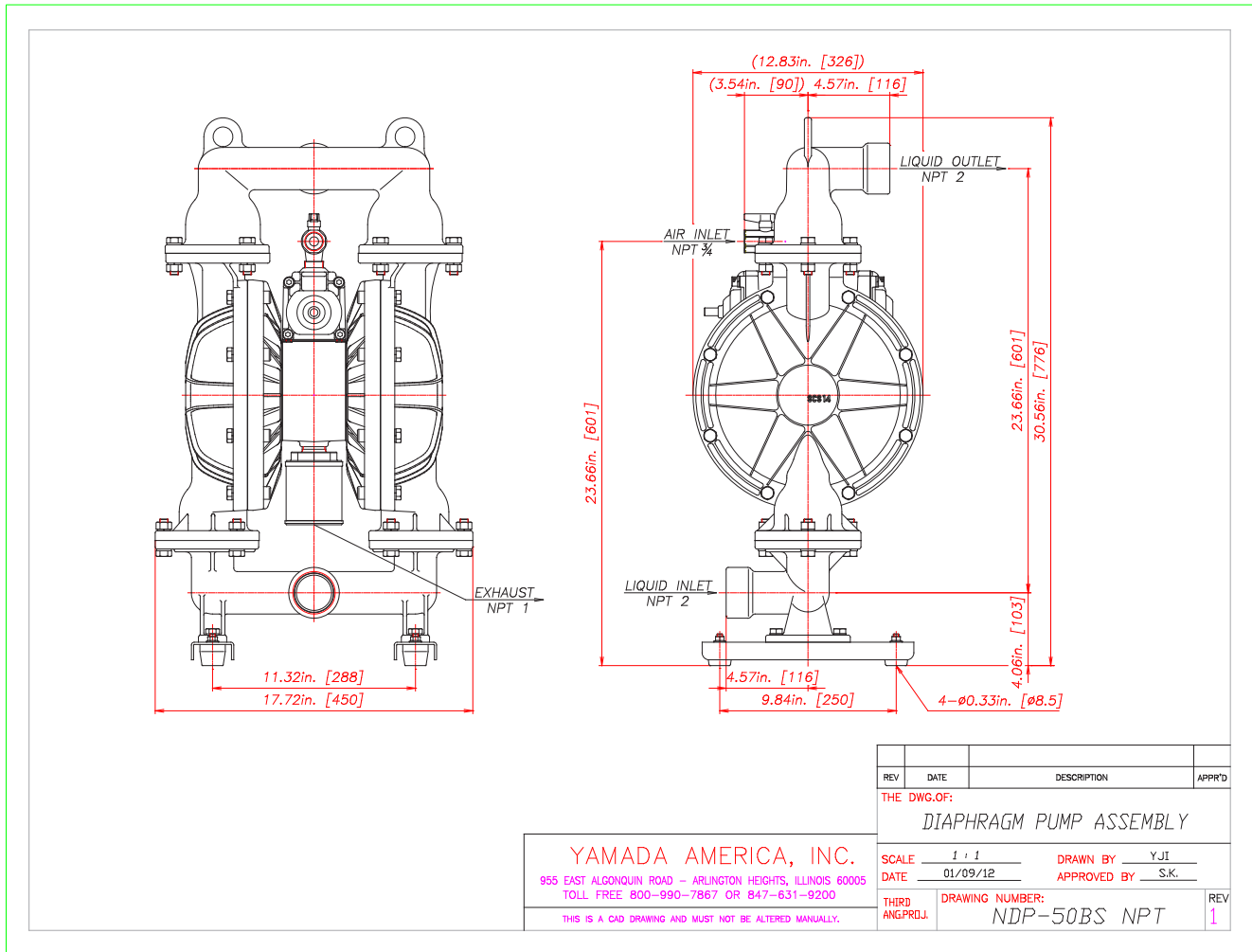
# NDP-50 Aluminum



# NDP-50 Stainless Steel - Flange

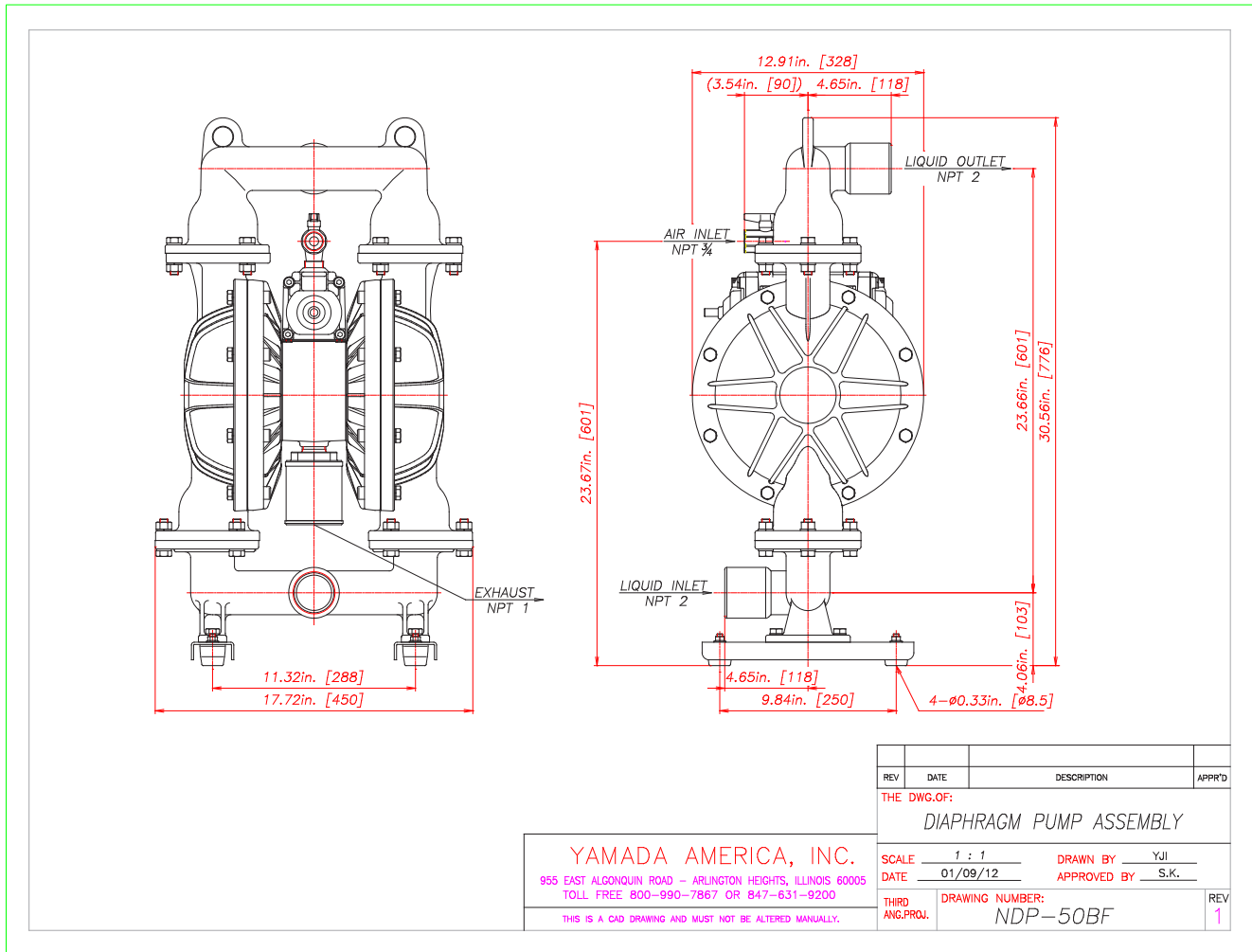


# NDP-50 Stainless Steel - NPT



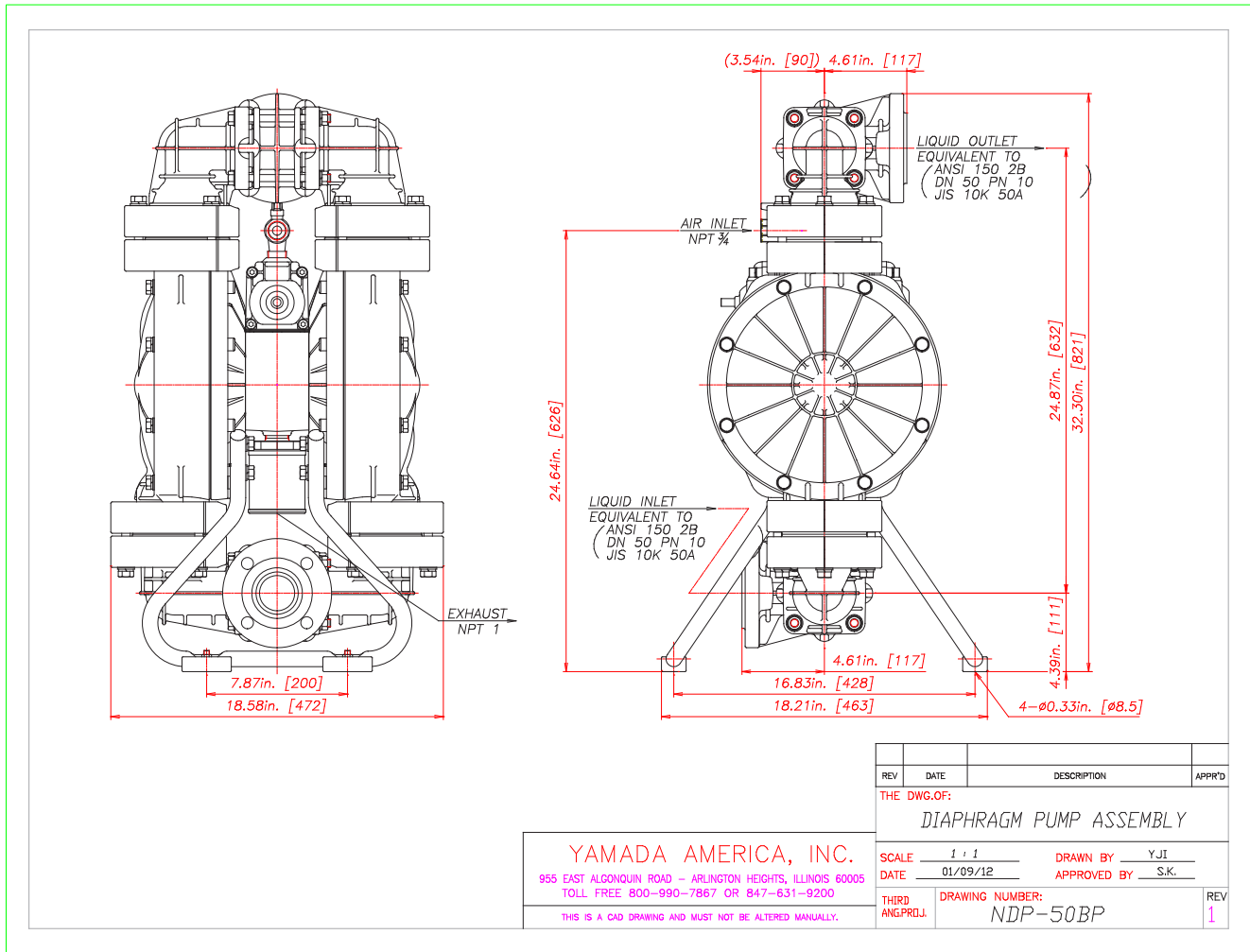


# NDP-50 Cast Iron



# NDP-50 Polypropylene

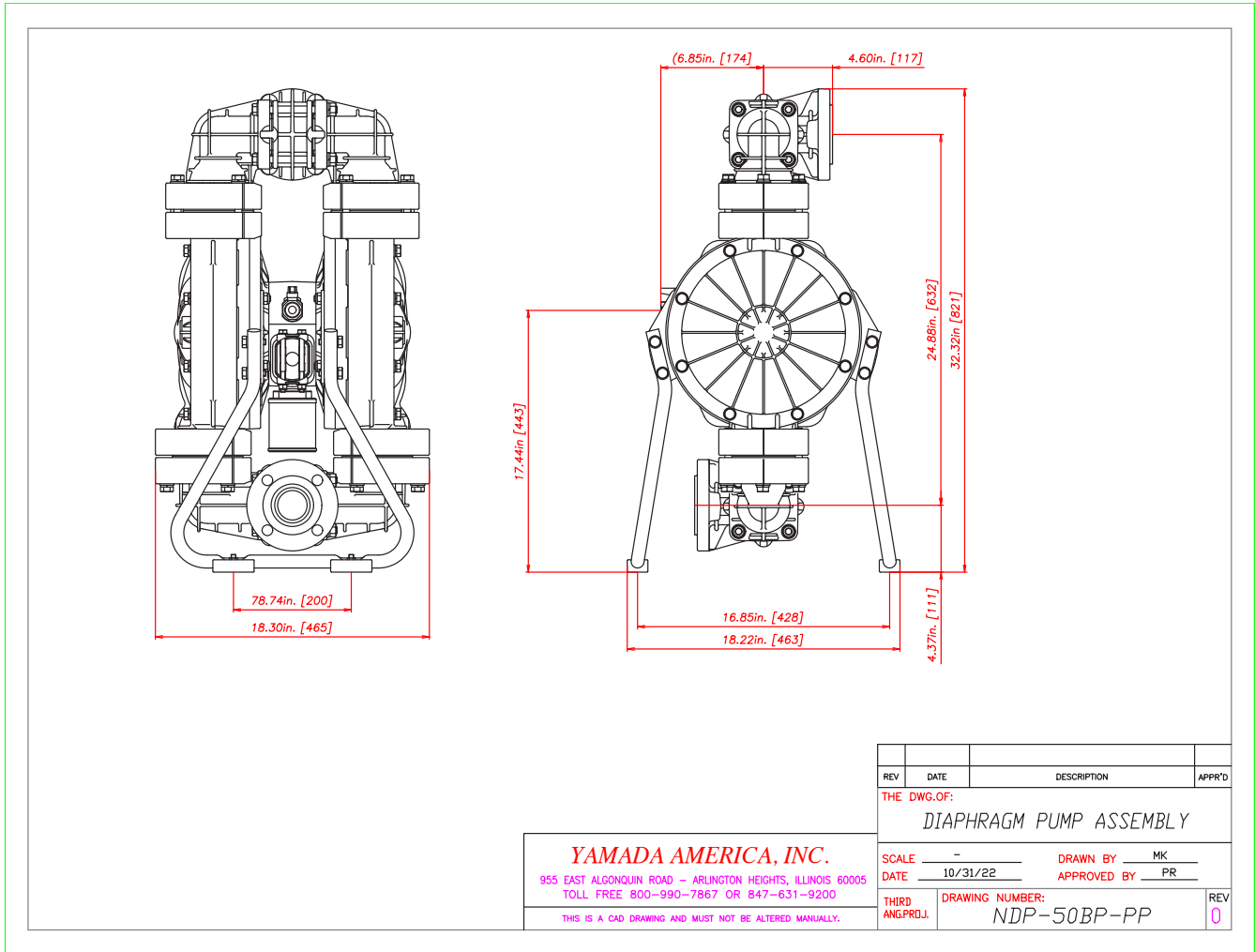
## Metal Center Body





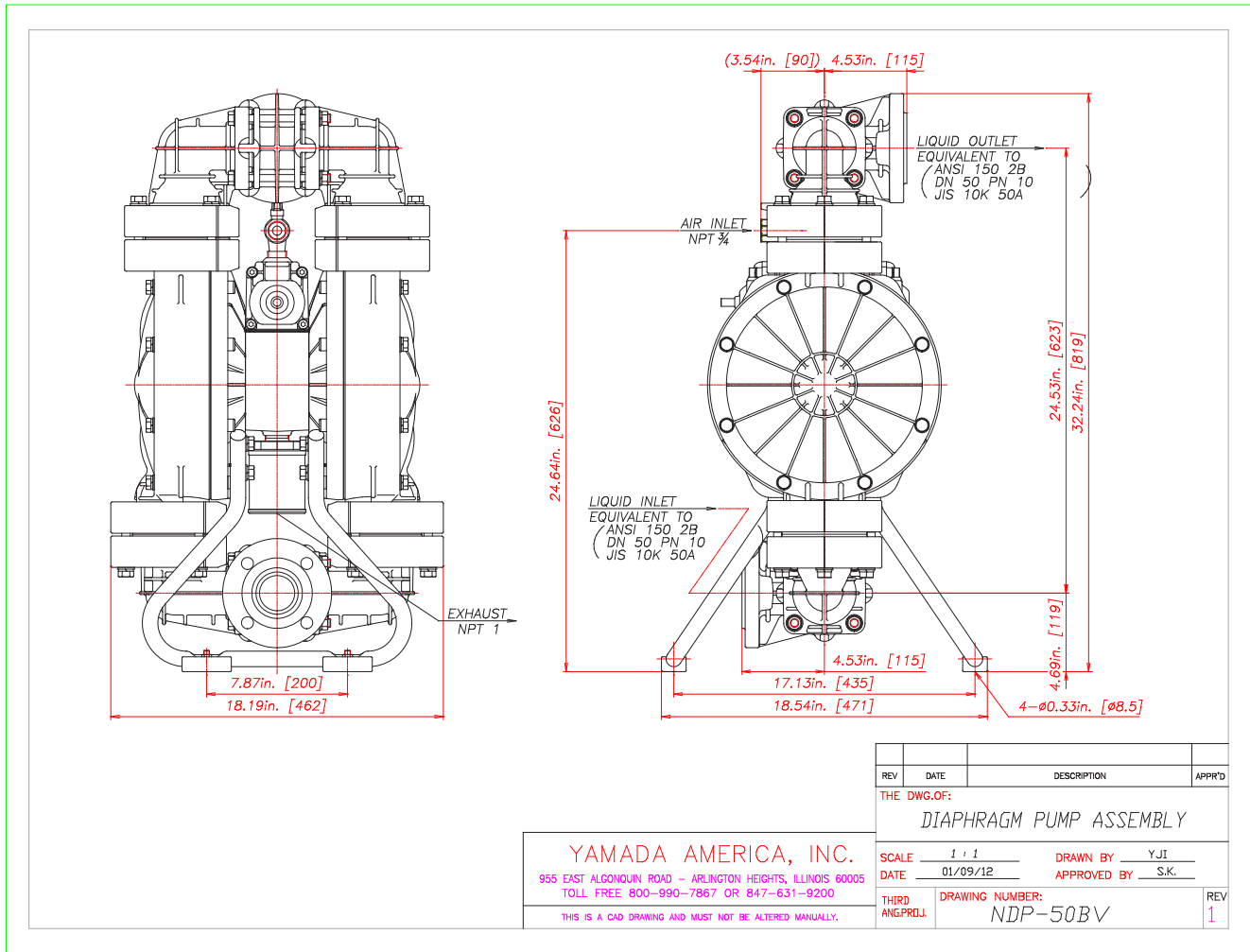
# NDP-50 Polypropylene (PP)

## Plastic Center Body



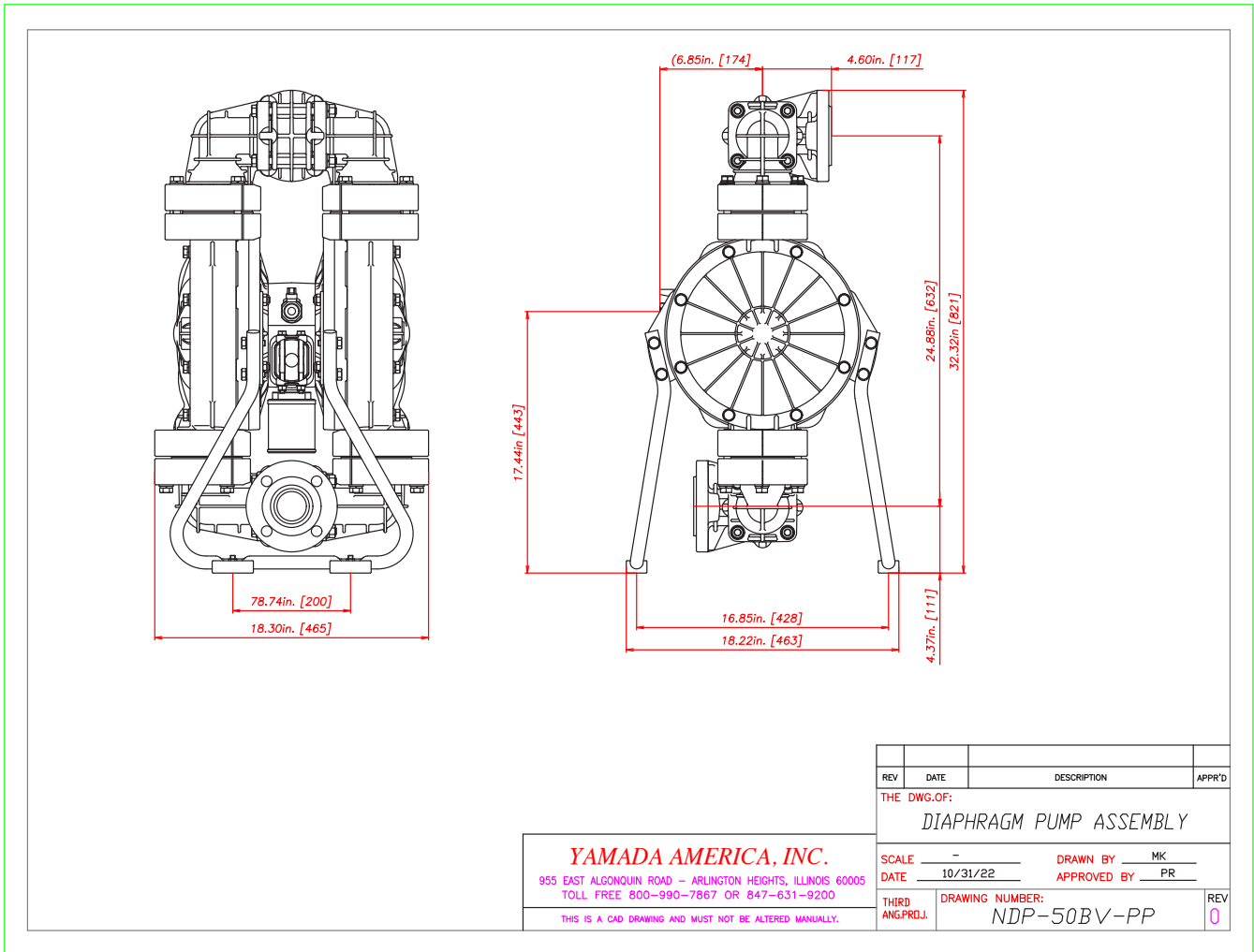
# NDP-50 Kynar

## Metal Center Body



# NDP-50 Kynar (PP)

## Plastic Center Body



**AutoCAD®** is a registered trademark of Autodesk, Inc.

**Hytrel®** is a registered trademark of E.I. du Pont de Nemours and Company.

**Kynar®** is a registered trademark of Arkema.

**Nordel™** is a trademark of DuPont Dow Elastomers.

**Ryton®** is a registered trademark of Chevron Phillips Chemical Company.

**Santoprene®** is a registered trademark of Advanced Elastomer Systems.

**Viton®** is a registered trademark of DuPont Performance Elastomers.

**Swagelok™ & VCR™** are trademarks of the Swagelok Companies.

**Flaretek®** is a registered trademark of Entegris.

**Garlock ONE-UP®** is a registered trademark of W.L. Gore & Associates.

**Yamada®** is a registered trademark of Yamada America, Inc.

**SolidPRO Designed to Pump Fluids Containing Solids®** is a registered trademark of Yamada America, Inc.

**Xtreme Duty Pro XDP®** is a registered trademark of Yamada America, Inc.

**The Proof's in the Pump®** is a registered trademark of Yamada America, Inc.

**The Proof is in the Pump®** is a registered trademark of Yamada America, Inc.

**Engineered to Perform. Designed to Outlast.®** is a registered trademark of Yamada America, Inc.

Due to Yamada's continued commitment to product improvement, specifications may change without notice.