

NDP-80 Specifications

Port Dimensions (215 GPM Max.)

Intake & discharge connection:

Polypropylene (PPG)	3" ANSI B16.5 #150
Aluminum (ADC-12)	3" ANSI B16.5 #150 (with tapped 3" Female NPT)
Stainless Steel (316)	3" ANSI B16.5 #150 or 3" Female NPT
Cast Iron	3" Female NPT
Air inlet (incl. ball valve):	3/4" Female NPT
Air exhaust (incl. silencer):	1" Female NPT

Maximum Liquid Temperature*

Diaphragm Material	Temperature
Buna N	180°F (82°C)
Neoprene	180°F (82°C)
Santoprene® (TPO)	180°F (82°C)
EPDM	212°F (100°C)
PTFE	212°F (100°C)
Hytrell® (TPEE)	248°F (120°C)
Viton® fluoroelastomer	248°F (120°C)

*The maximum liquid temperature for metal pumps is determined by the elastomer (diaphragm material). Polypropylene pumps have a maximum liquid temperature of 180°F (82°C) regardless of diaphragm material.

Air Supply Pressure (All Models)

20–100 PSI (1.4–7 kfg/cm)

Discharge Volume Per Cycle

Rubber diaphragm: 2.26 gallons (8.57 liters)

PTFE diaphragm: 1.0 gallons (3.8 liters)

Maximum Cycles Per Minute

Rubber diaphragm: 95

PTFE diaphragm: 160

Maximum Size Solid

13/32" (10 mm)

Maximum Dry Suction Lift

Rubber-fitted pump capability: 19-feet

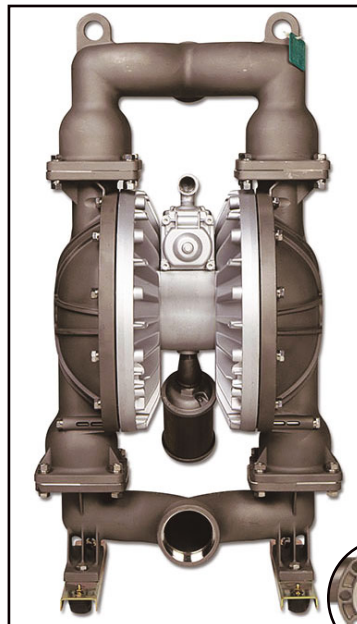
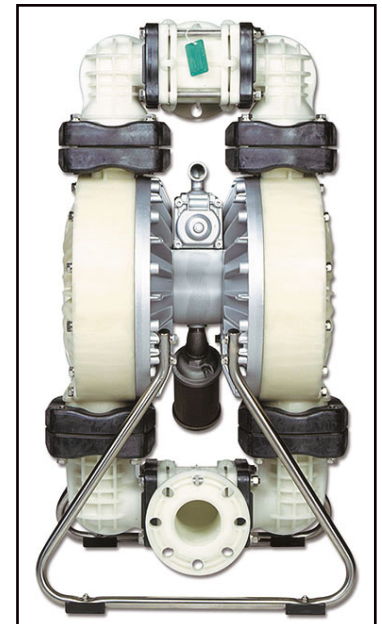
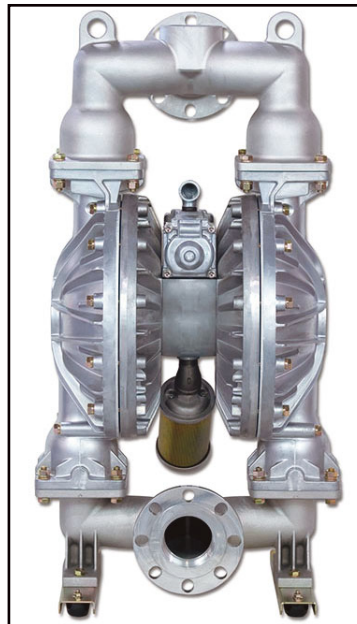
Air Motor

Aluminum Air Motor–Standard

Optional coating: PTFE grey coated (XP)

Notes: Hytrell® fitted pumps include Buna?N wetted o-rings. Santoprene® fitted pumps include EPDM wetted o-rings.

AutoCAD® drawings are available on CDROM or at yamadapump.com



Aluminum (top left)

Dimensions: 20.43" W × 40.75" H

Net Wt.: 151 lbs. (68.5 kg)

Shipping Wt.: 165 lbs.

Polypropylene (top right)

Dimensions: 22.83" W × 41.10" H

Net Wt.: 162 lbs. (73.5 kg)

Shipping Wt.: 177 lbs.

Cast Iron or Stainless Steel (left)

Dimensions: 20.54" W × 38.74" H

Net Wt.: Cast Iron–271 lbs. (122.9 kg)

SS –244 lbs. (110.7 kg)

Shipping Wt.: Cast Iron –277 lbs.

SS –263 lbs.

Note: ANSI Flange available for Stainless Steel

Model Number Nomenclature

Series: NDP-80 Pump

Material: NDP-80 B x x

Valve Type:

B = Ball

Body Material:

P = Polypropylene
A = Aluminum
S = Stainless Steel
F = Cast Iron

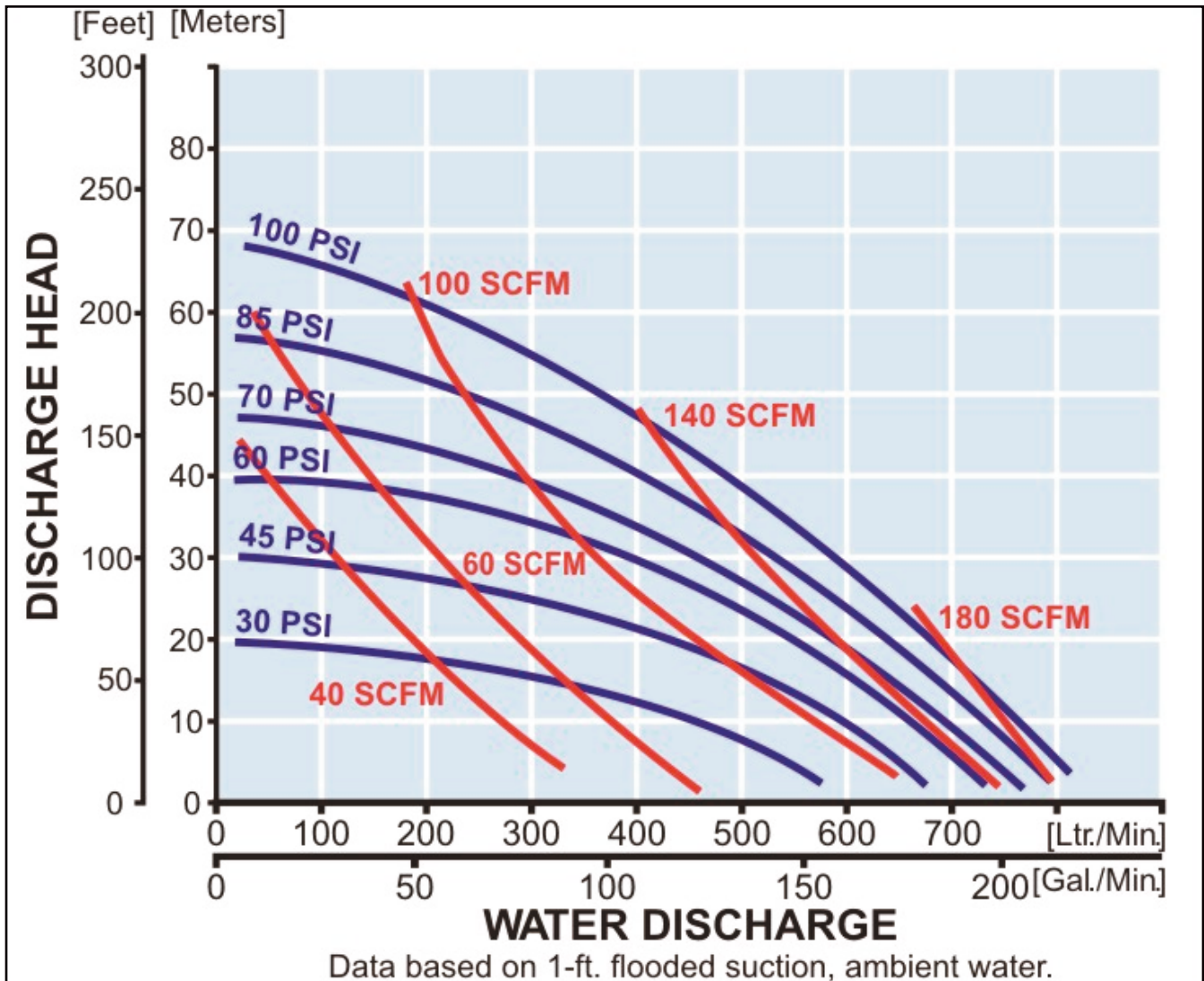
Diaphragm Material:

C = Neoprene (CR)
N = Buna N (NBR)
E = Nordel™ (EPDM)
S = Santoprene® (TPO)
T = PTFE
V = Viton® (FKM)
H = Hytrell® (TPE)

Note: For NPT-fitted Stainless Steel, add "NPT" at end of model number nomenclature.

NDP-80 Performance Curve – Rubber

Rubber Diaphragm Performance Curve

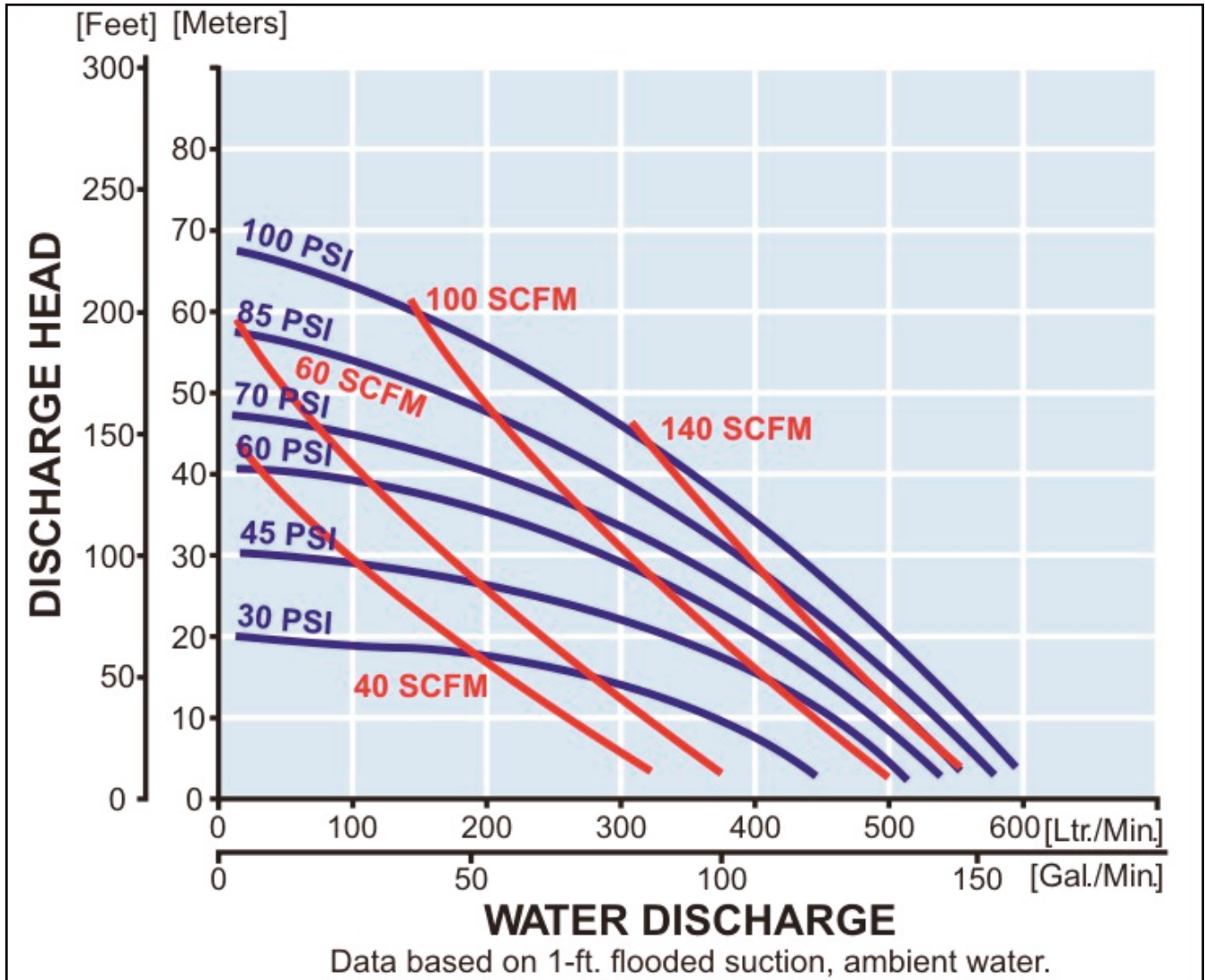


To calculate performance for Santoprene® and Hytrel®-fitted pumps, use Rubber Diaphragm Curve.

aodd.ir

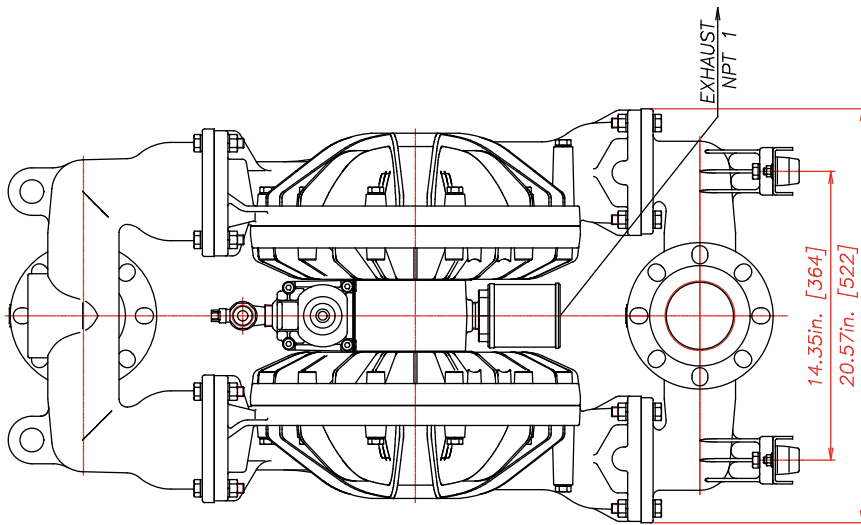
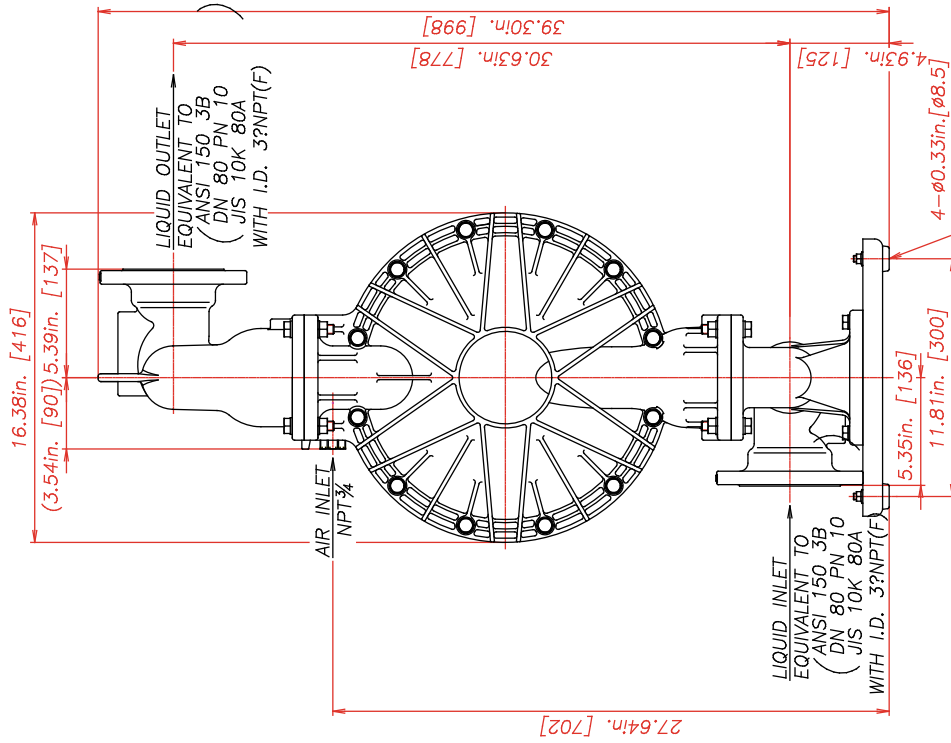
NDP-80 Performance Curve – PTFE

PTFE Diaphragm Performance Curve



To calculate performance for Santoprene® and Hytrel®-fitted pumps, use Rubber Diaphragm Curve.

aodd.ir

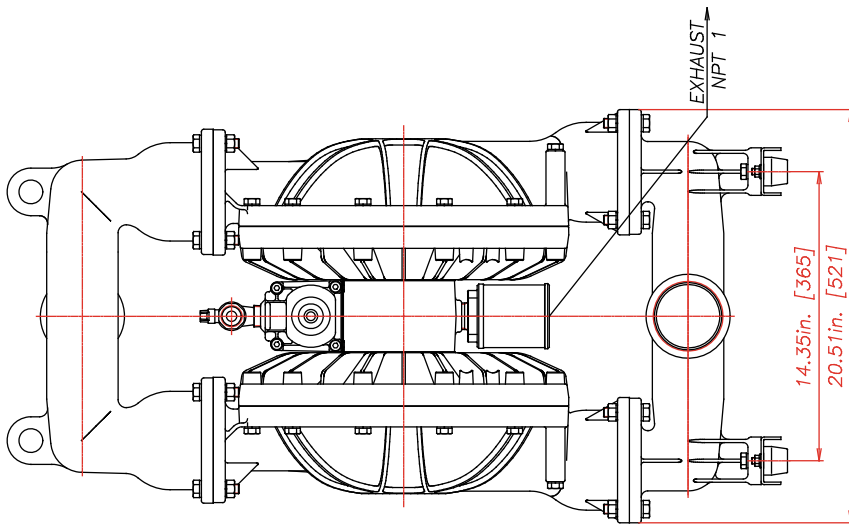
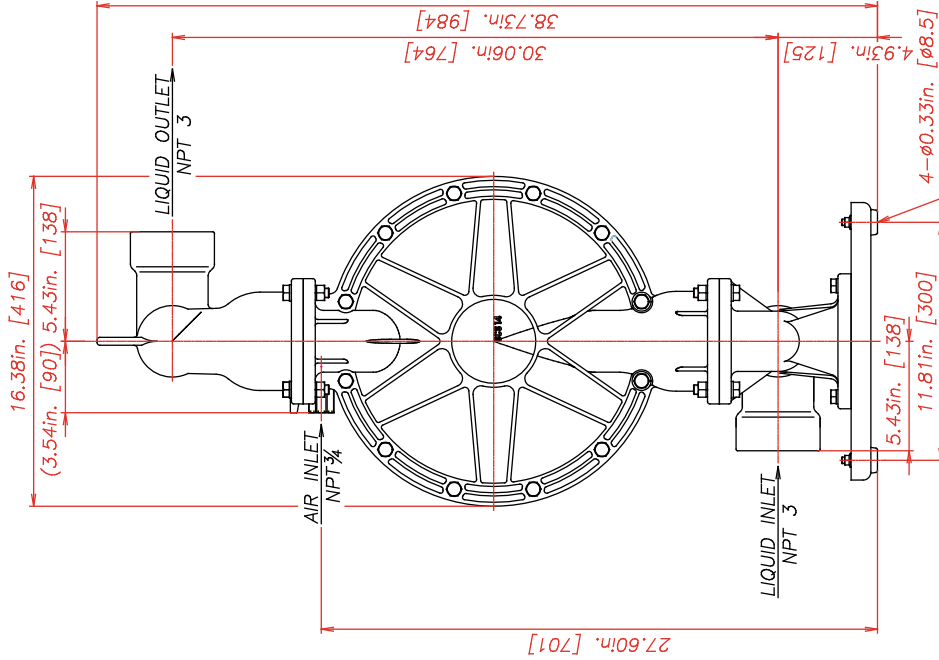


aodd.ir

REV	DATE	DESCRIPTION	APPR'D
THE DWG. OF: DIAPHRAGM PUMP ASSEMBLY			
SCALE 1 : 1		DRAWN BY YJI	
DATE 01/09/12		APPROVED BY S.K.	
THIRD ANG. PROJ.	DRAWING NUMBER: NDP-80BA		REV 1

YAMADA AMERICA, INC.
 955 EAST ALGONQUIN ROAD, ARLINGTON HEIGHTS, ILLINOIS 60005
 TOLL FREE 800-990-7867 OR 847-631-9200

THIS IS A CAD DRAWING AND MUST NOT BE ALTERED MANUALLY.

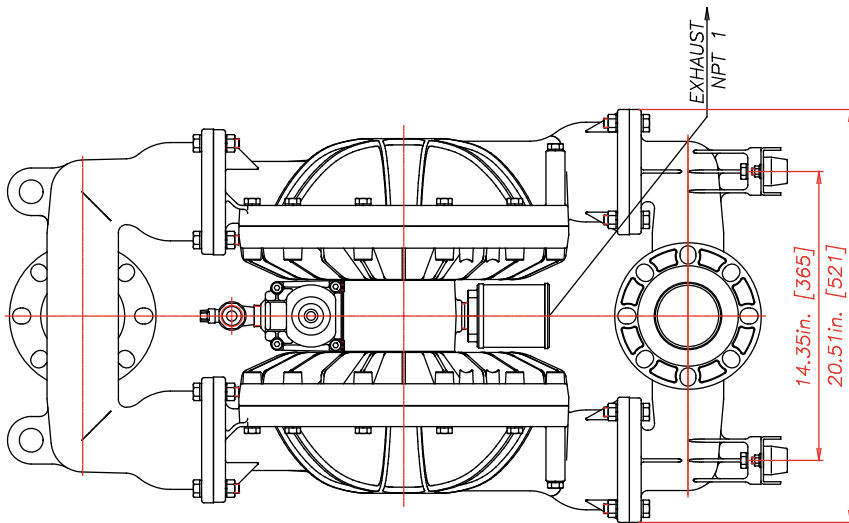
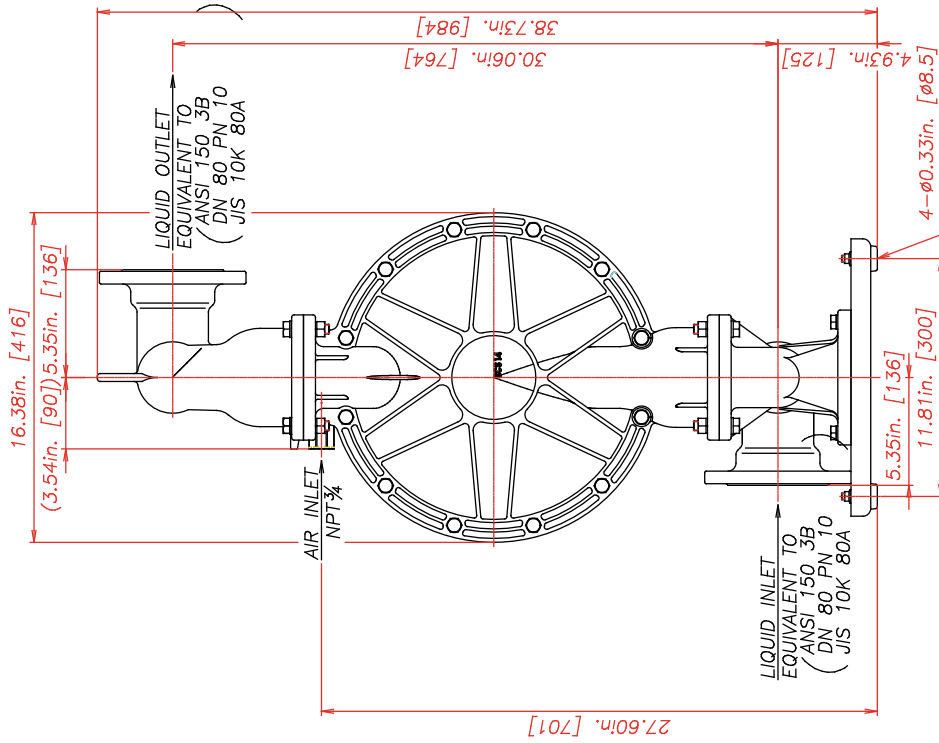


aodd.ir

REV	DATE	DESCRIPTION	APPR'D
THE DWG. OF: DIAPHRAGM PUMP ASSEMBLY			
SCALE 1 : 1		DRAWN BY Y.JI	
DATE 01/09/12		APPROVED BY S.K.	
THIRD ANGRPDLJ		DRAWING NUMBER: NDP-80BS NPT	
REV 1			

YAMADA AMERICA, INC.
 955 EAST ALGONQUIN ROAD, ARLINGTON HEIGHTS, ILLINOIS 60005
 TOLL FREE 800-990-7867 OR 847-631-9200

THIS IS A CAD DRAWING AND MUST NOT BE ALTERED MANUALLY.

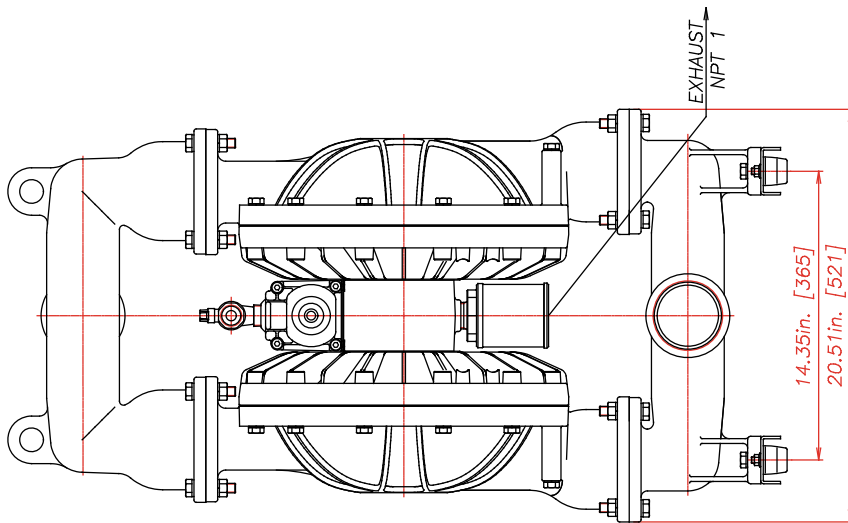
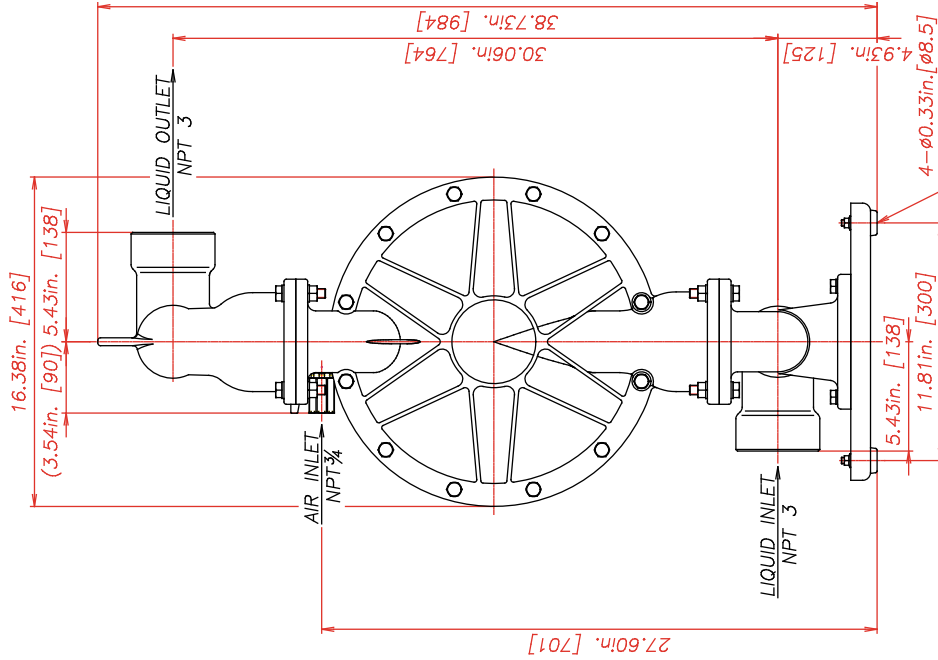


aodd.ir

REV	DATE	DESCRIPTION	APPR'D
THE DWG. OF: DIAPHRAGM PUMP ASSEMBLY			
SCALE 1 : 1		DRAWN BY Y.JI	
DATE 01/09/12		APPROVED BY S.K.	
THIRD ANGLE PROJ.	DRAWING NUMBER: NDP-80BS FLANGE		REV 1

YAMADA AMERICA, INC.
 955 EAST ALGONQUIN ROAD, ARLINGTON HEIGHTS, ILLINOIS 60005
 TOLL FREE 800-990-7867 OR 847-631-9200

THIS IS A CAD DRAWING AND MUST NOT BE ALTERED MANUALLY.

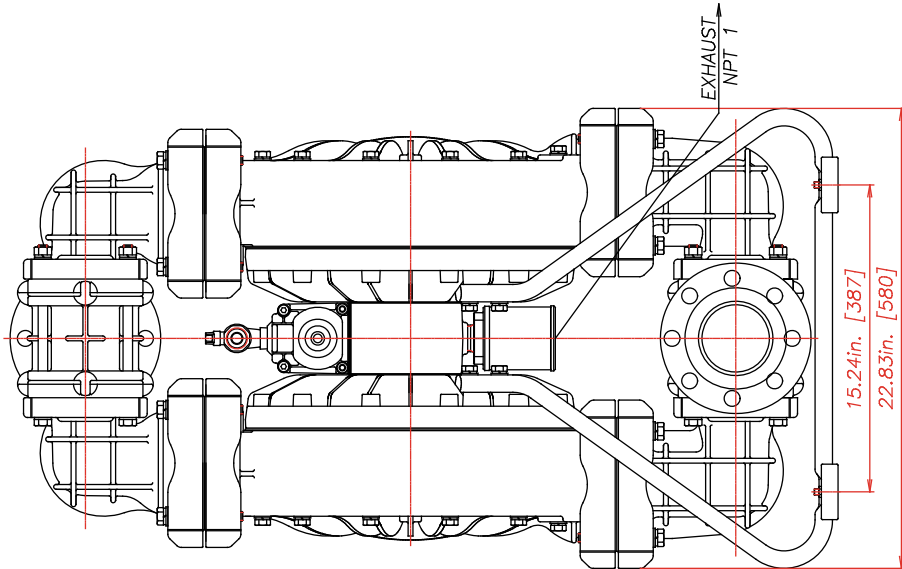
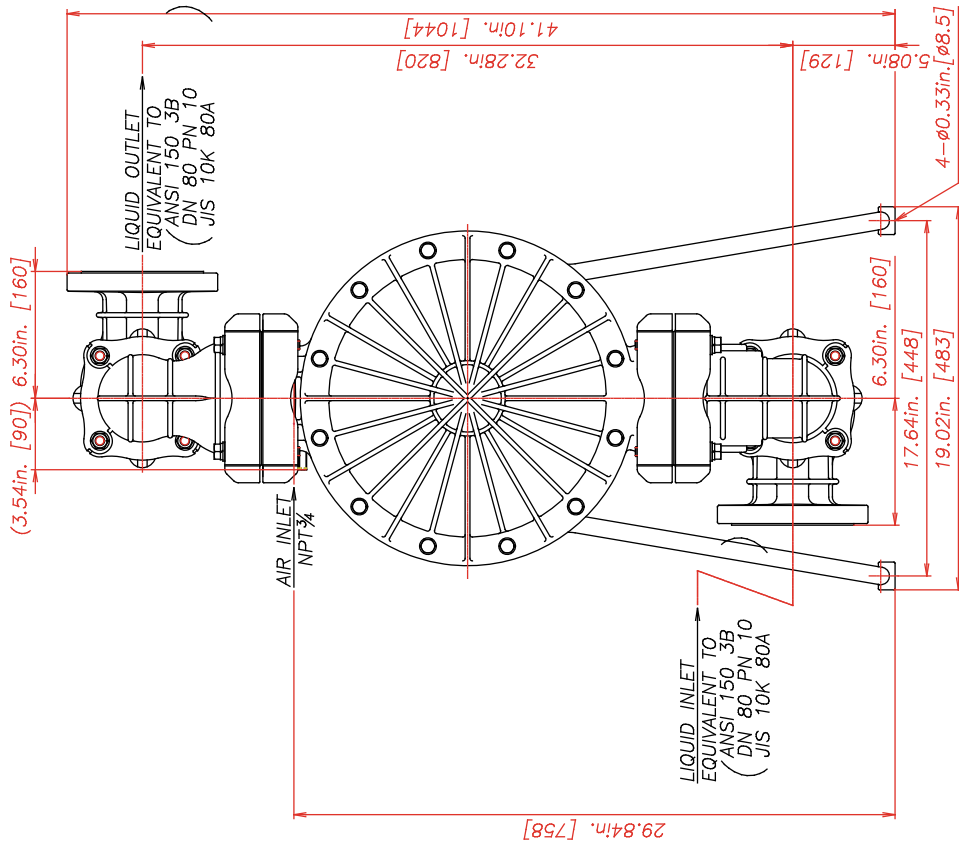


aodd.ir

REV	DATE	DESCRIPTION	APPR'D
THE DWG.OF:			
DIAPHRAGM PUMP ASSEMBLY			
SCALE 1 : 1		DRAWN BY YJI	
DATE 01/09/12		APPROVED BY S.K.	
THIRD ANG.PROJ.		DRAWING NUMBER: NDP-80BF	
REV	1		

YAMADA AMERICA, INC.
 955 EAST ALGONQUIN ROAD, ARLINGTON HEIGHTS, ILLINOIS 60005
 TOLL FREE 800-990-7867 OR 847-631-9200

THIS IS A CAD DRAWING AND MUST NOT BE ALTERED MANUALLY.



aodd.ir

REV	DATE	DESCRIPTION	APPR'D
THE DWG. OF: DIAPHRAGM PUMP ASSEMBLY			
SCALE 1 : 1		DRAWN BY YJI	
DATE 01/09/12		APPROVED BY S.K.	
THIRD ANGLE PROJ.		DRAWING NUMBER: NDP-80BP	
REV 1			

YAMADA AMERICA, INC.
 955 EAST ALGONQUIN ROAD, ARLINGTON HEIGHTS, ILLINOIS 60005
 TOLL FREE 800-990-7867 OR 847-631-9200

THIS IS A CAD DRAWING AND MUST NOT BE ALTERED MANUALLY.

AutoCAD® is a registered trademark of Autodesk, Inc.

Hytrel® is a registered trademark of E.I. du Pont de Nemours and Company.

Kynar® is a registered trademark of Arkema.

Nordel™ is a trademark of DuPont Dow Elastomers.

Ryton® is a registered trademark of Chevron Phillips Chemical Company.

Santoprene® is a registered trademark of Advanced Elastomer Systems.

Swagelok® & VCR® are trademarks of the Swagelok Companies.

Viton® is a registered trademark of DuPont Performance Elastomers.

Due to Yamada's continued commitment to product improvement, specifications may change without notice.

aodd.ir



Yamada America, Inc. 955 E. Algonquin Road, Arlington Heights, IL 60005
USA Toll-Free: 800 990-7867 Phone: 847 631-9200 Fax: 847 631-9273
E-mail: sales@yamadapump.com Web: www.yamadapump.com